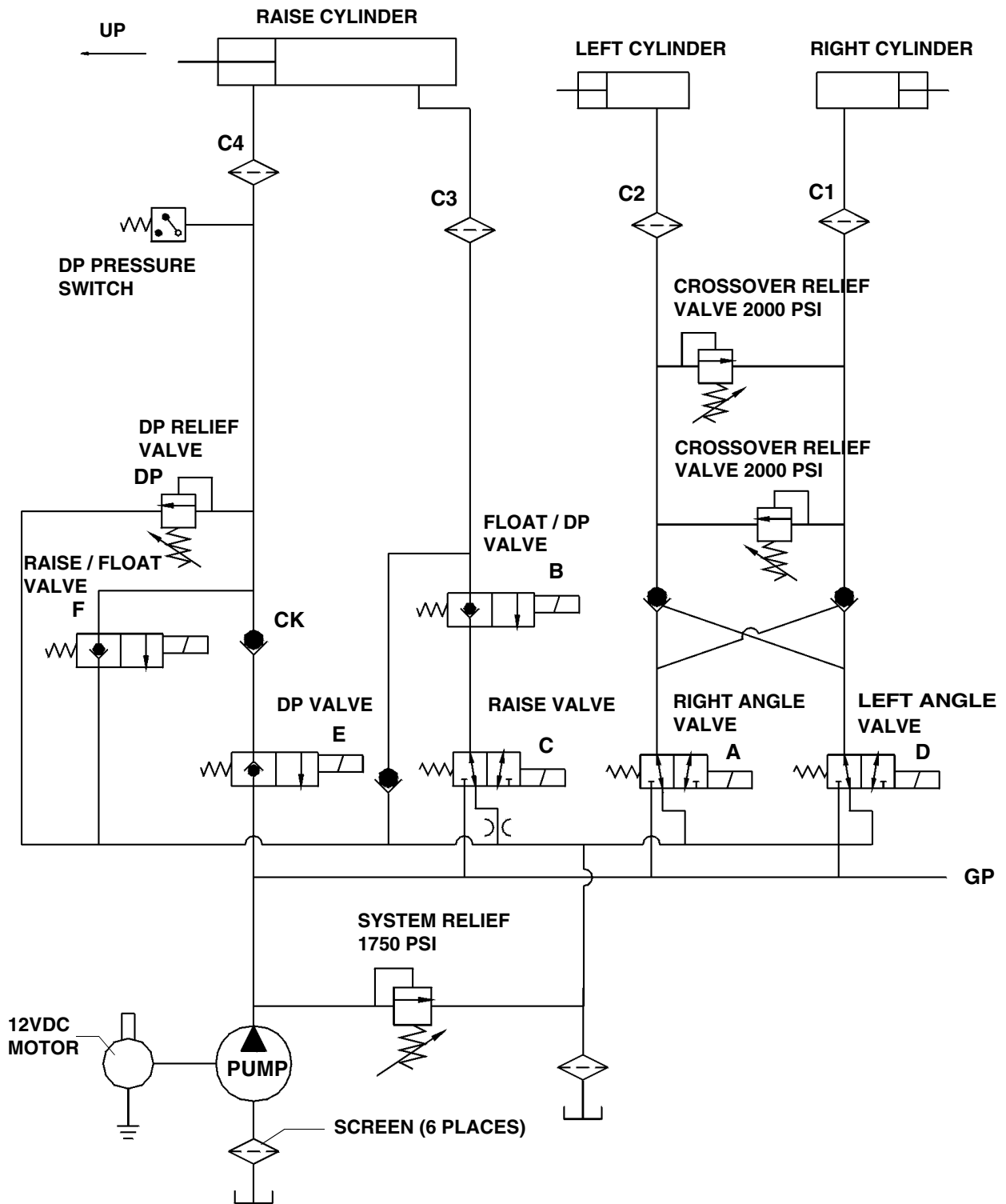
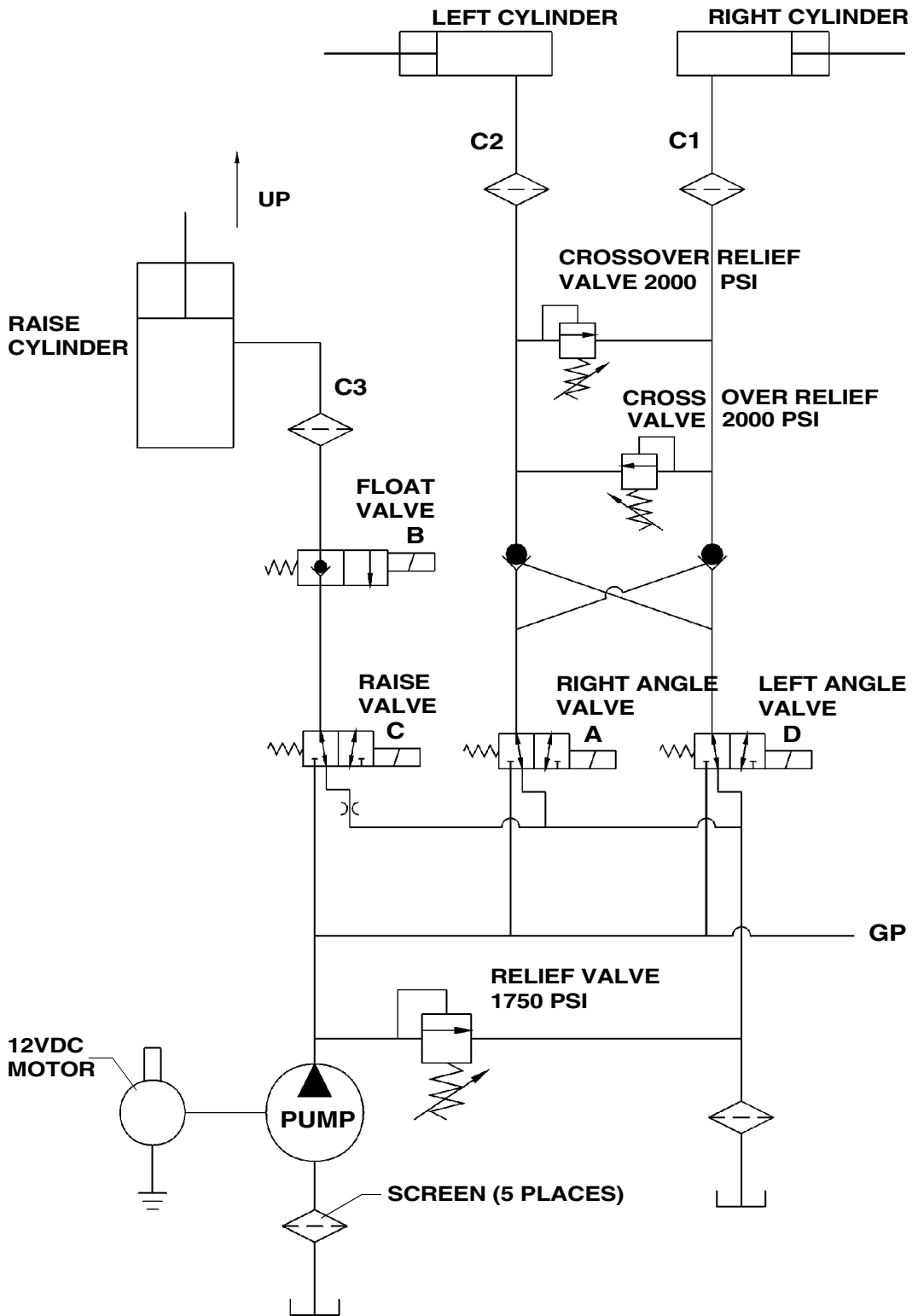


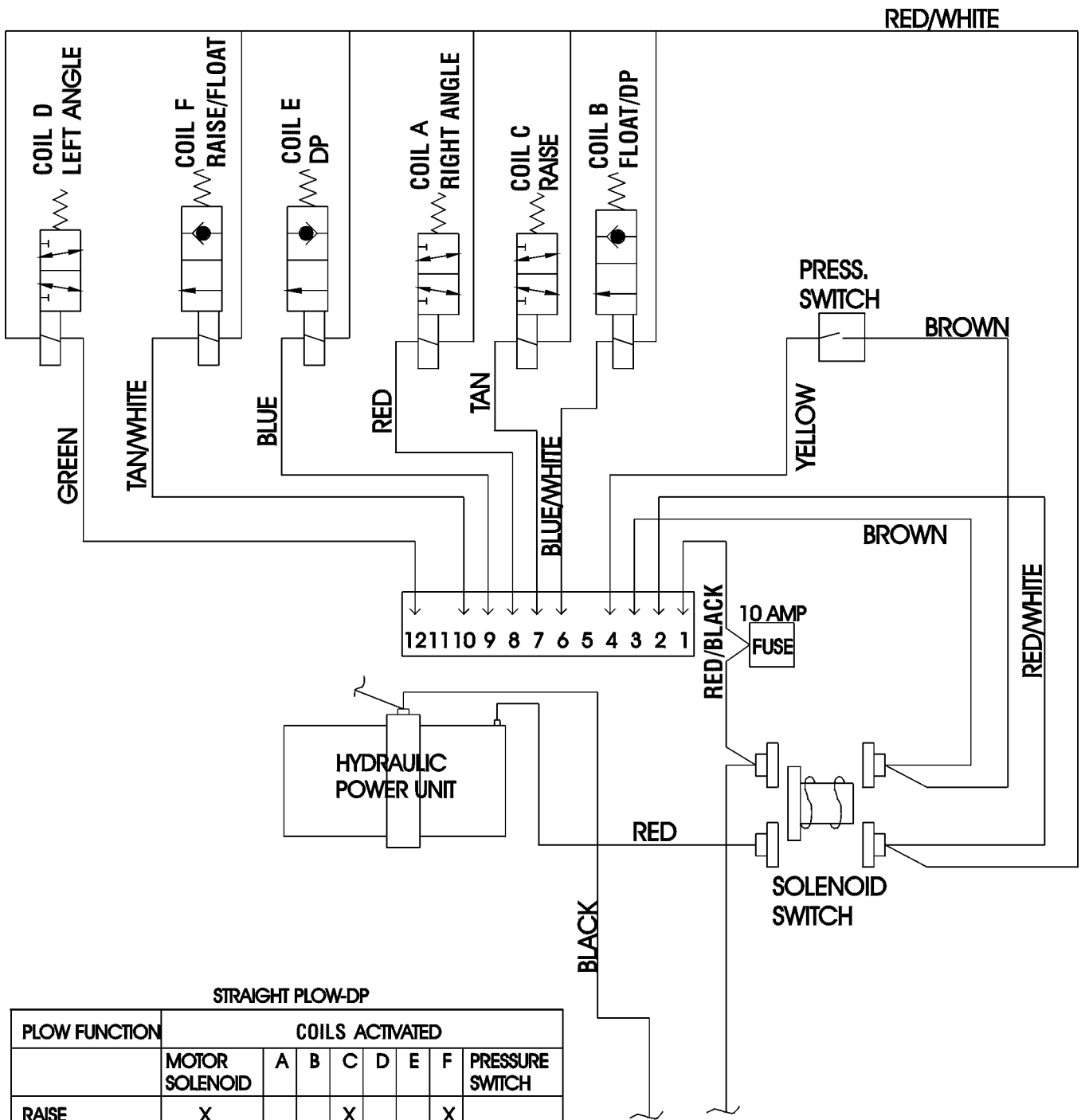
HYDRAULIC SCHEMATIC (Down Pressure System)



HYDRAULIC SCHEMATIC (Gravity Down System)



WIRING SCHEMATIC (Down Pressure System)



STRAIGHT PLOW-DP

PLOW FUNCTION	COILS ACTIVATED							
	MOTOR SOLENOID	A	B	C	D	E	F	PRESSURE SWITCH
RAISE	X			X			X	
DOWN (FLOAT)			X				X	
DOWN PRESSURE	X		X			X		X
ANGLE LEFT	X				X			
ANGLE RIGHT	X	X						

NOTE: COIL E MUST BE DEACTIVATED FOR ANGLE FUNCTIONS

