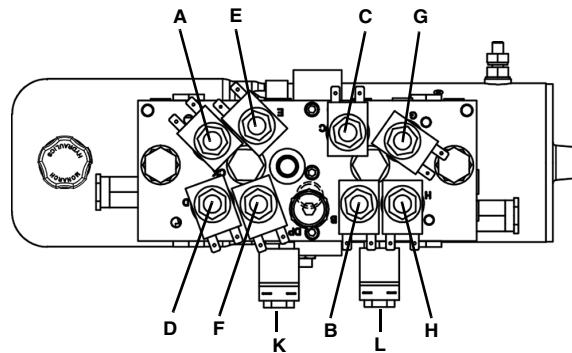
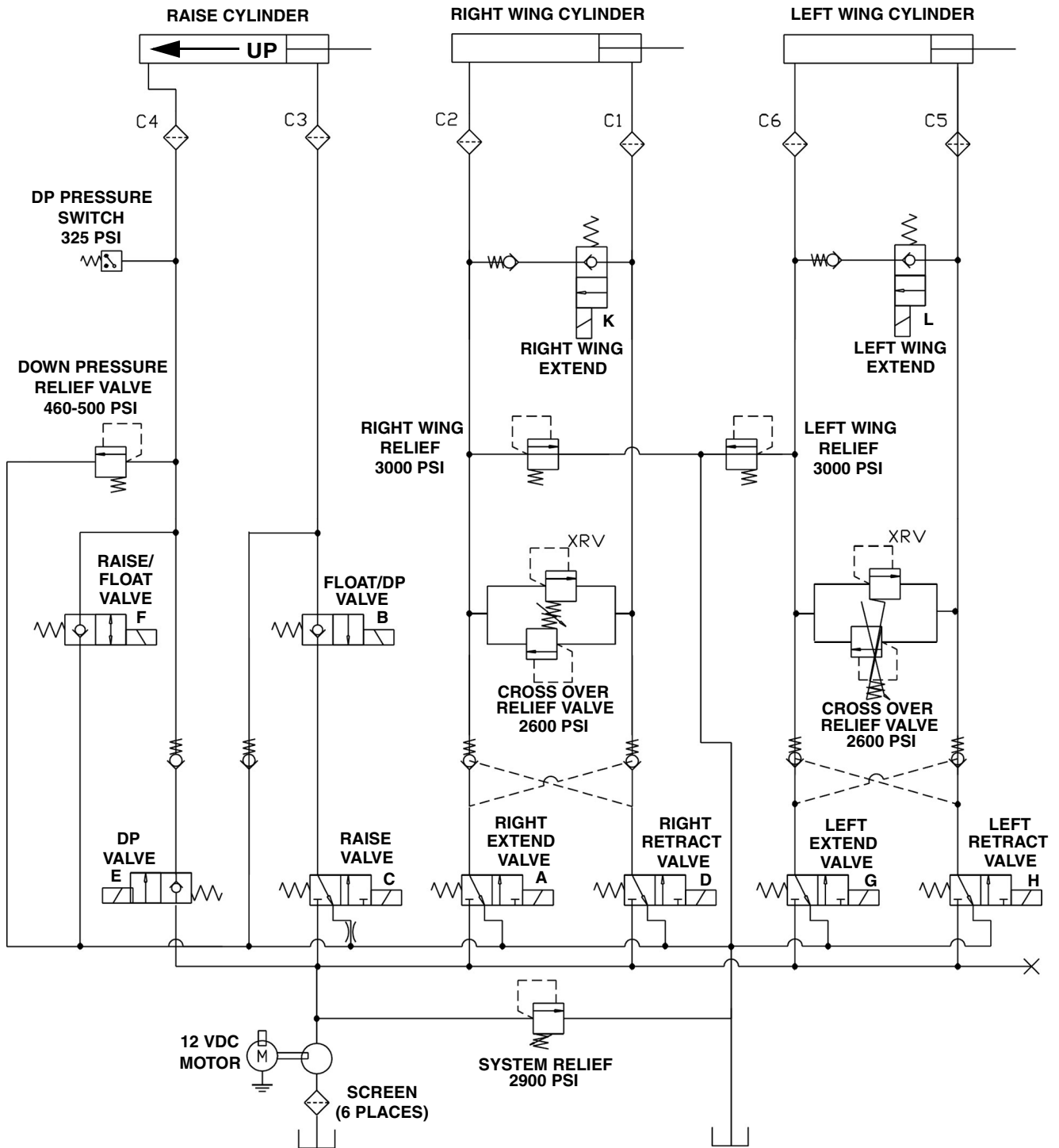
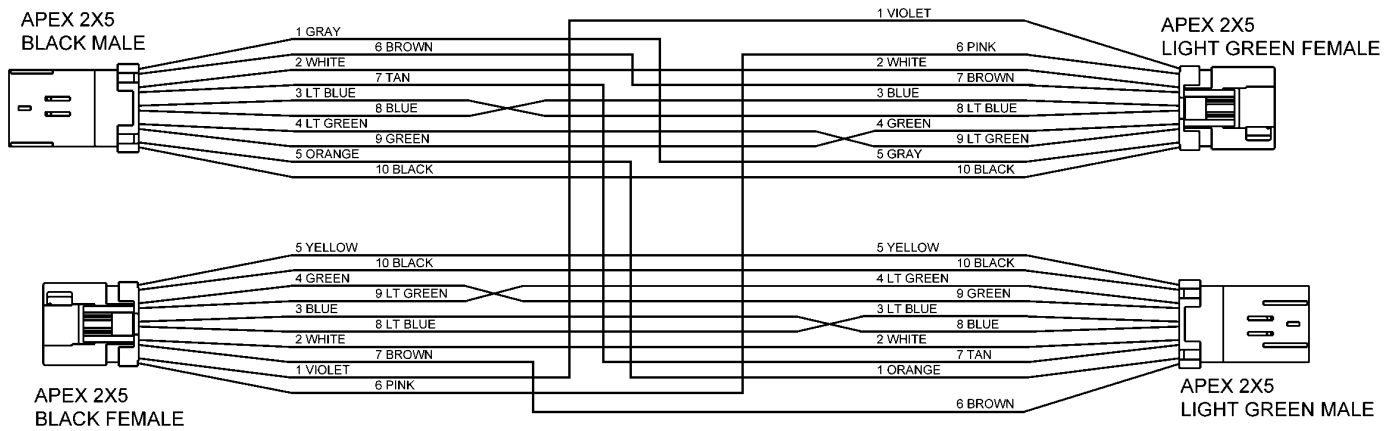


HYDRAULIC SCHEMATIC



MAIN WIRING HARNESS SCHEMATIC

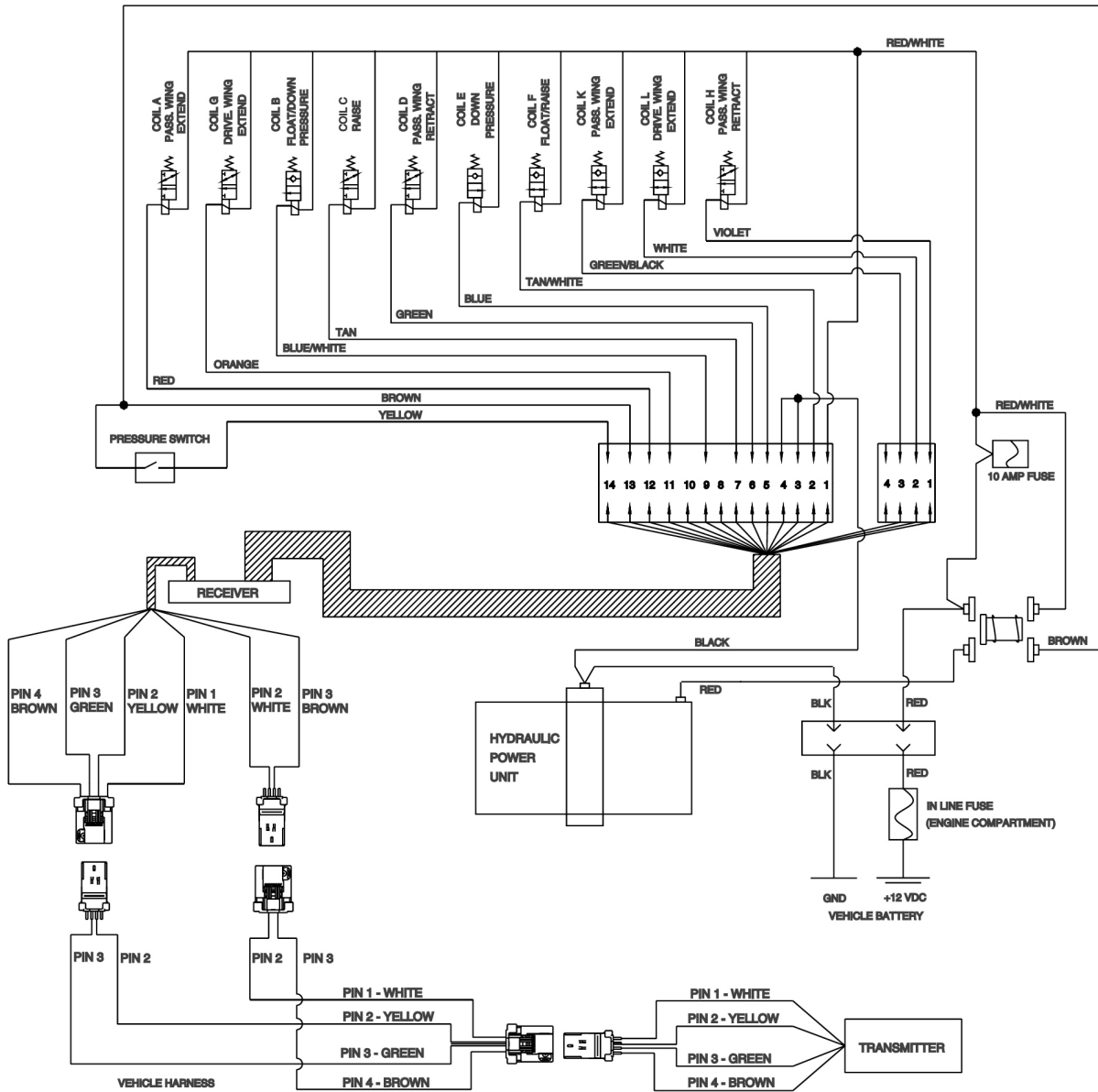
EIS[®] (Energy Interruption System[™])



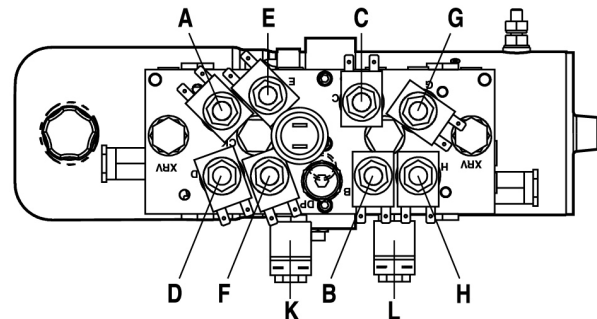


WIRING SCHEMATIC

With S.N. Before: MBV100499



FLOW FUNCTION	MOTOR SOLENOID	A	B	C	D	E	F	G	H	K	L	PRESSURE SWITCH
WIRE COLOR	BROWN	RED	BLUE/WHITE	TAN	GREEN	BLUE	TAN/WHITE	ORANGE	VIOLET	GREEN/BLACK	WHITE	YELLOW AND BROWN
RAISE	X			X			X					
DOWN (FLOAT)			X				X					
DOWN PRESSURE™			X		X							X
DRIVE SIDE WING EXTEND	X							X	X		X	
DRIVE SIDE WING RETRACT	X								X			
PASS. SIDE WING EXTEND	X	X			X					X		
PASS. SIDE WING RETRACT	X				X							
VEE POSITION	X				X				X			
SCOOP POSITION	X	X			X			X	X	X	X	
ANGLE LEFT	X	X			X				X	X		
ANGLE RIGHT	X				X			X	X		X	

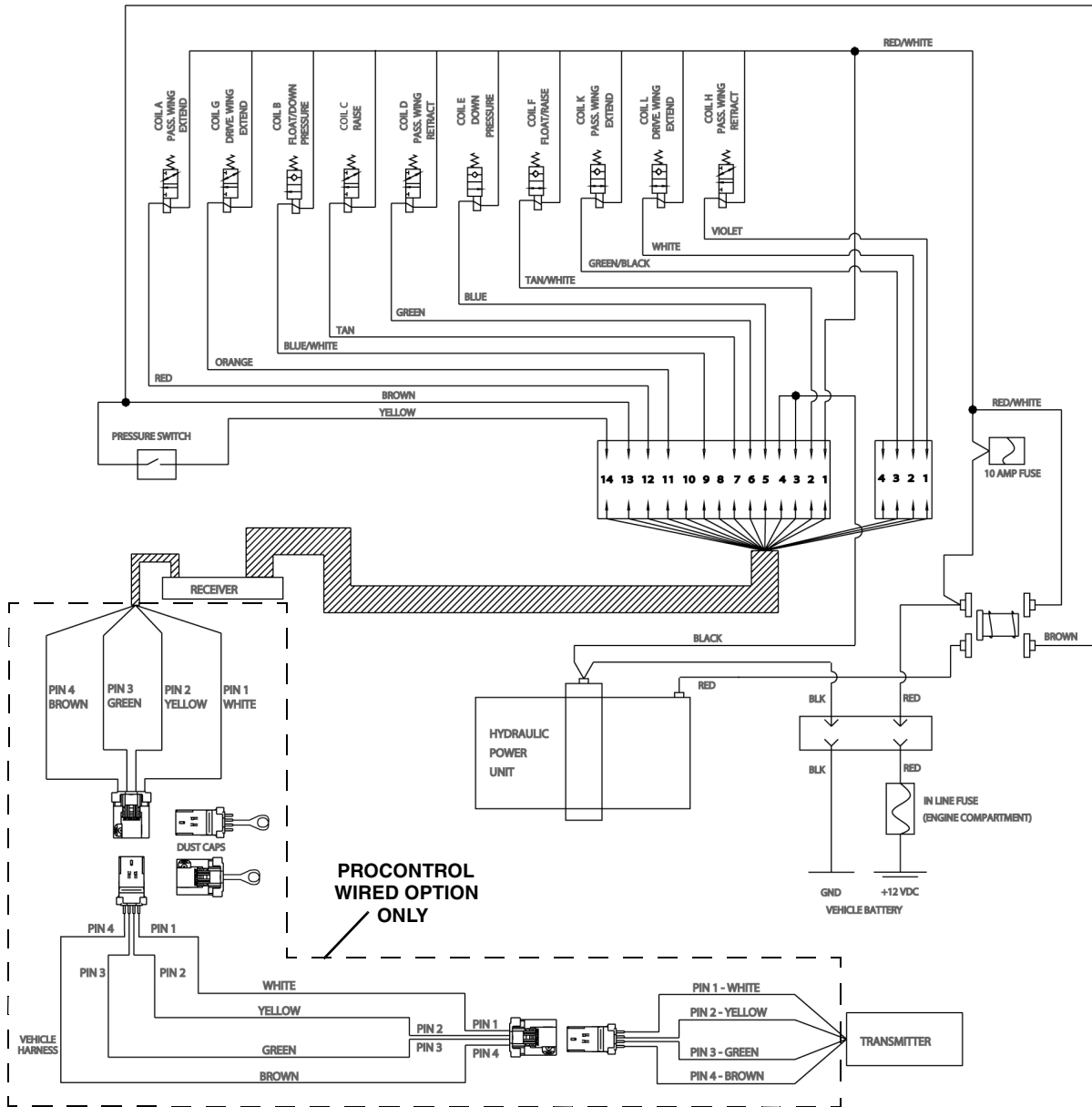


NOTE: COIL E MUST BE DEACTIVATED FOR ANGLE AND WING FUNCTIONS



WIRING SCHEMATIC

With S.N. After: MBV100500



FLOW FUNCTION	MOTOR SOLENOID	A	B	C	D	E	F	G	H	K	L	PRESSURE SWITCH
WIRE COLOR	BROWN	RED	BLUE/WHITE	TAN	GREEN	BLUE	TAN/WHITE	ORANGE	VIOLET	GREEN/BLACK	WHITE	YELLOW AND BROWN
RAISE	X			X			X					
DOWN (FLOAT)			X				X					
DOWN PRESSURE™			X		X							X
DRIVE SIDE WING EXTEND	X							X	X		X	
DRIVE SIDE WING RETRACT	X								X			
PASS SIDE WING EXTEND	X	X			X					X		
PASS SIDE WING RETRACT	X				X							
VEE POSITION	X				X				X			
SCOOP POSITION	X	X			X			X	X	X	X	
ANGLE LEFT	X	X			X				X	X		
ANGLE RIGHT	X				X			X	X		X	

NOTE: COIL E MUST BE DEACTIVATED FOR ANGLE AND WING FUNCTIONS

