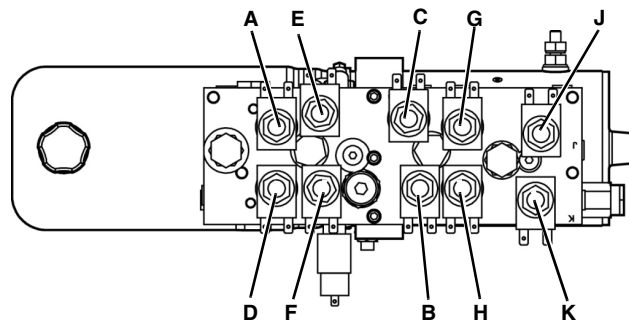
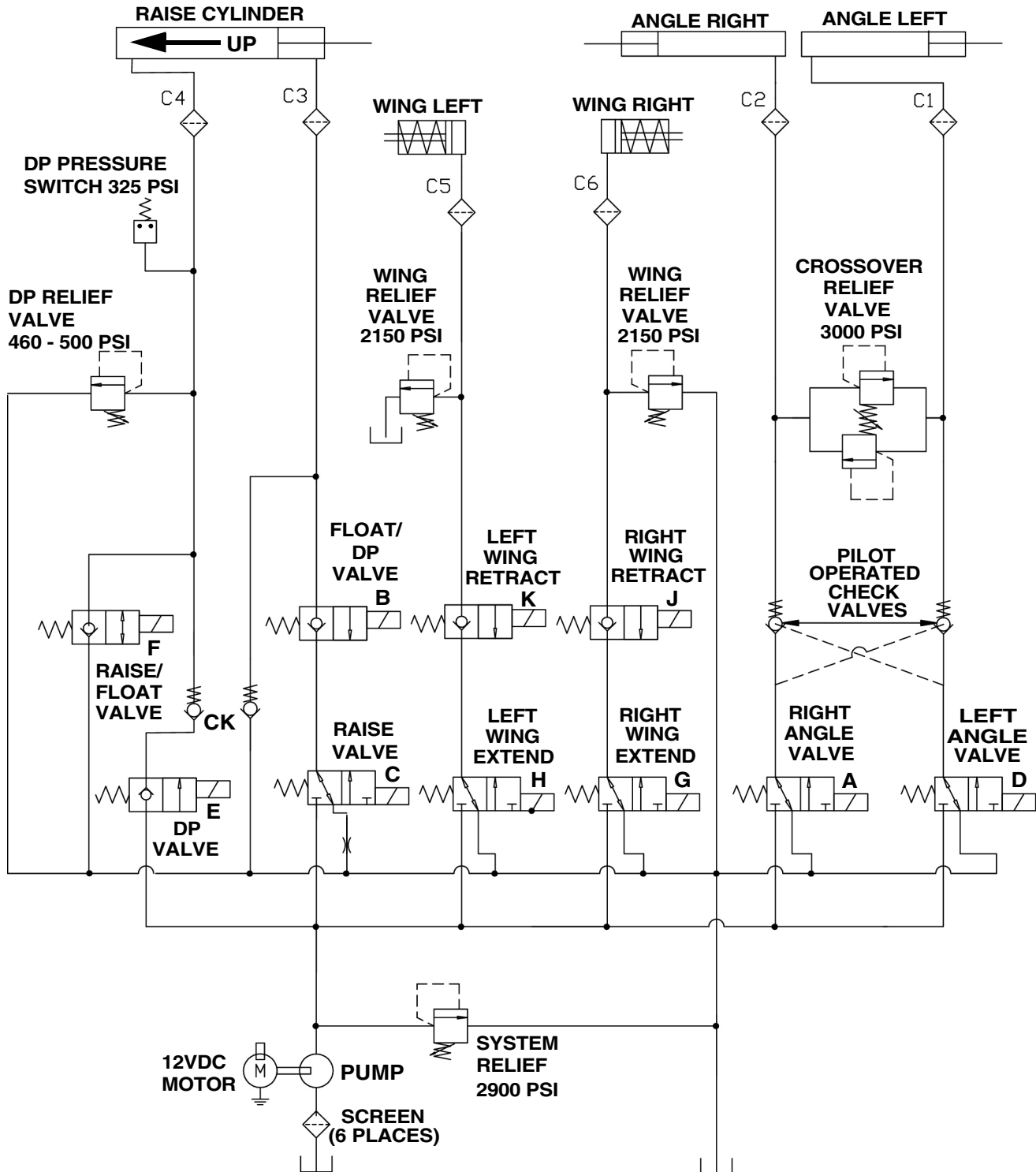
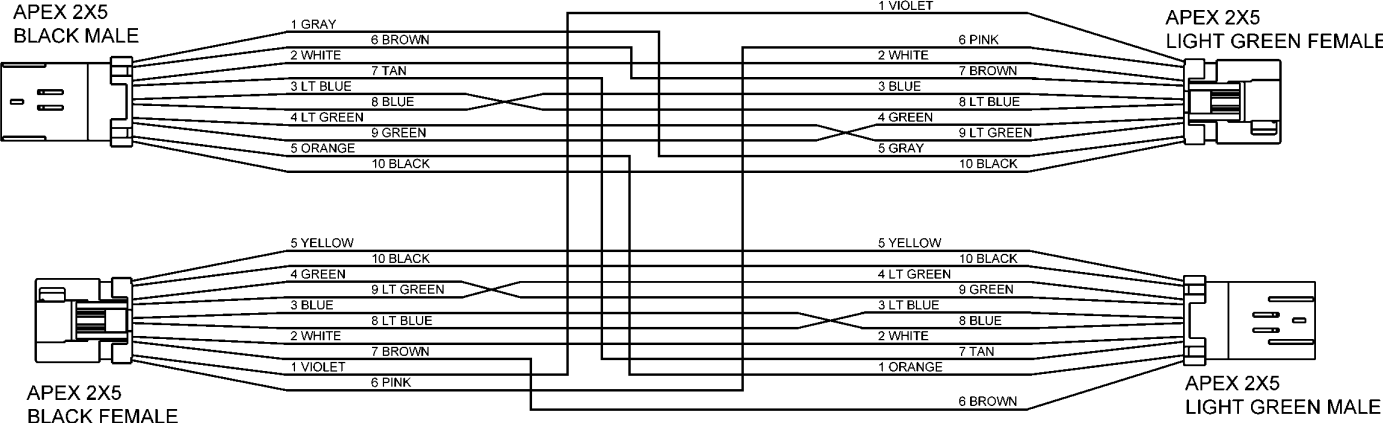


HYDRAULIC SCHEMATIC



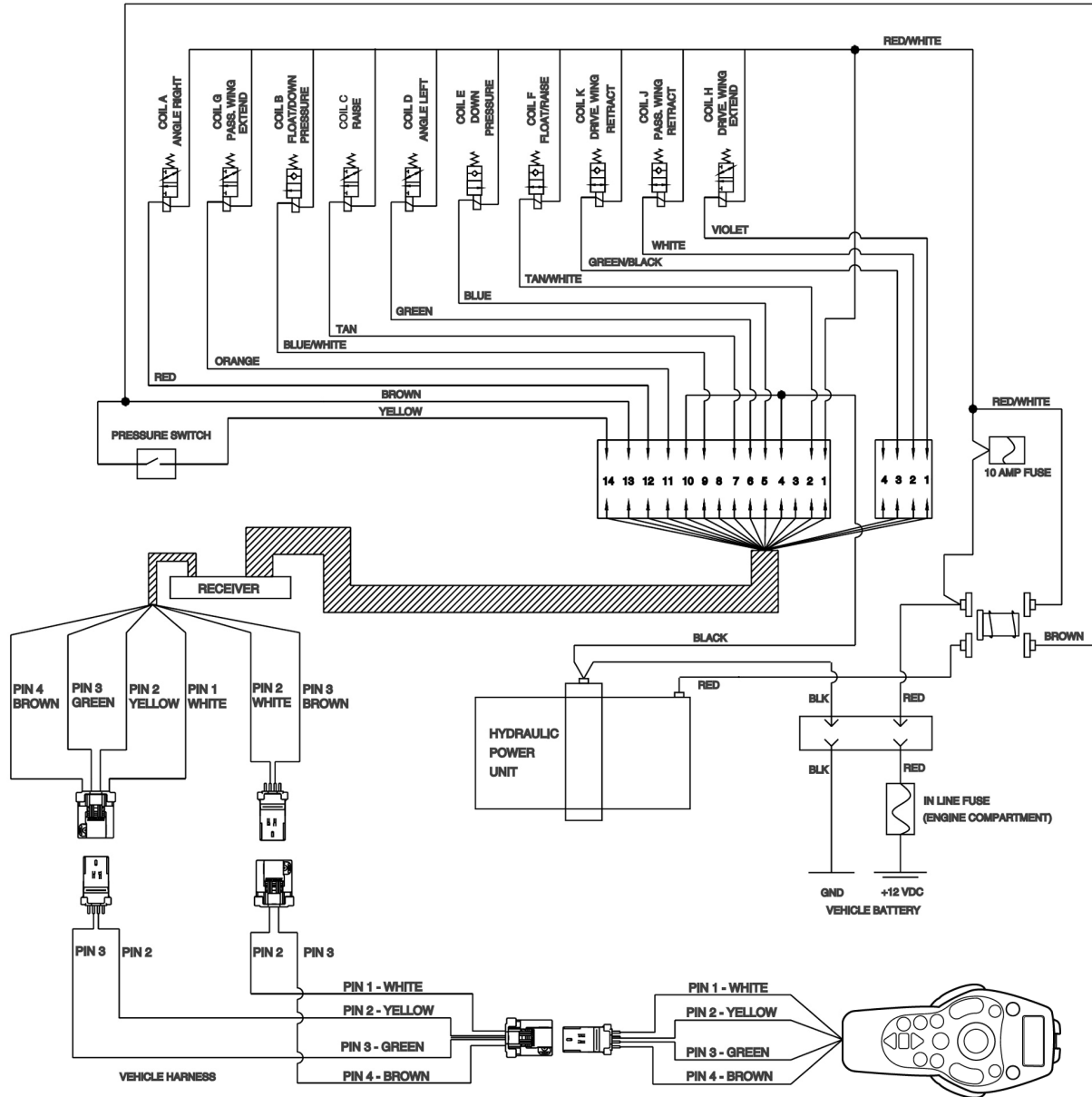
MAIN WIRING HARNESS SCHEMATIC EIS[®] (Energy Interruption System)



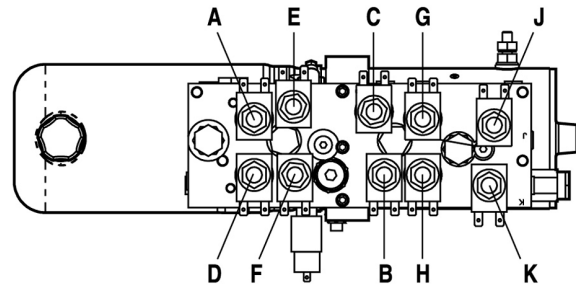


WIRING SCHEMATIC

With S.N. Before: MBR100499



PLOW FUNCTION	MOTOR SOLENOID	A	B	C	D	E	F	G	H	J	K	PRESSURE SWITCH
WIRE COLOR	BROWN	RED	BLUE/WHITE	TAN	GREEN	BLUE	TAN/WHITE	ORANGE	VIOLET	WHITE	GREEN/BLACK	YELLOW AND BROWN
RAISE	X		X			X						
DOWN (FLOAT)			X			X						
DOWN PRESSURE™			X		X							X
DRIVE SIDE WING EXTEND	X								X			
DRIVE SIDE WING RETRACT											X	
PASS. SIDE WING EXTEND	X							X				
PASS. SIDE WING RETRACT										X		
DUAL WING RETRACT										X	X	
DUAL WING EXTEND	X						X	X				
ANGLE LEFT	X			X								
ANGLE RIGHT	X	X										

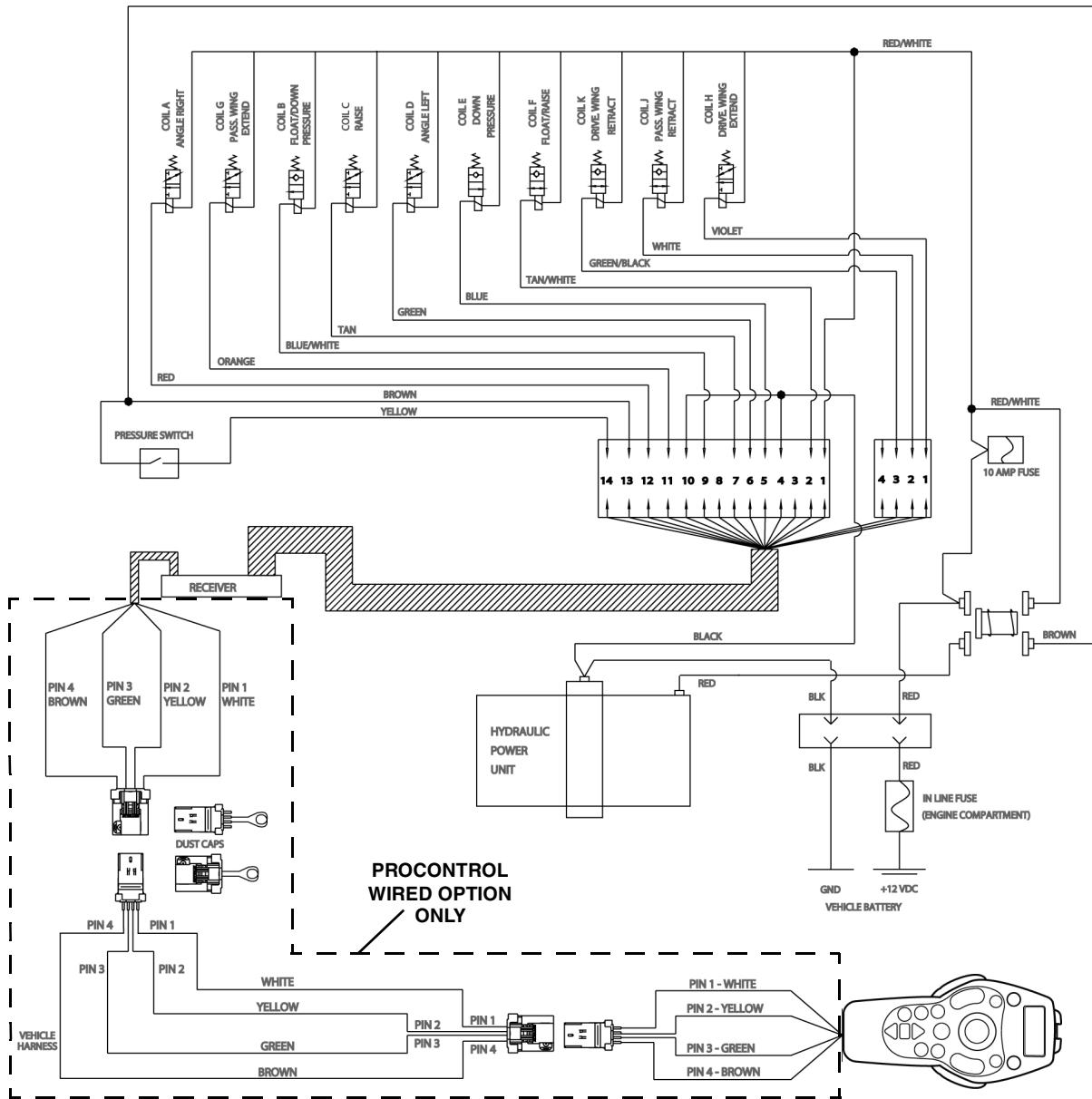


NOTE: COIL E MUST BE DEACTIVATED FOR ANGLE AND WING FUNCTIONS

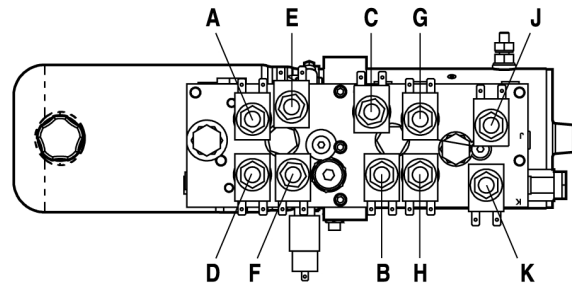


WIRING SCHEMATIC

With S.N. After: MBR100500



PLOW FUNCTION	MOTOR SOLENOID	A	B	C	D	E	F	G	H	J	K	PRESSURE SWITCH
WIRE COLOR	BROWN	RED	BLUE/WHITE	TAN	GREEN	BLUE	TAN/WHITE	ORANGE	VIOLET	WHITE	GREEN/BLACK	YELLOW AND BROWN
RAISE	X			X			X					
DOWN (FLOAT)			X				X					
DOWN PRESSURE™			X			X						X
DRIVE SIDE WING EXTEND	X								X			
DRIVE SIDE WING RETRACT											X	
PASS SIDE WING EXTEND	X							X				
PASS SIDE WING RETRACT										X		
DUAL WING RETRACT										X	X	
DUAL WING EXTEND	X							X	X			
ANGLE LEFT	X				X							
ANGLE RIGHT	X	X										



NOTE: COIL E MUST BE DEACTIVATED FOR ANGLE AND WING FUNCTIONS