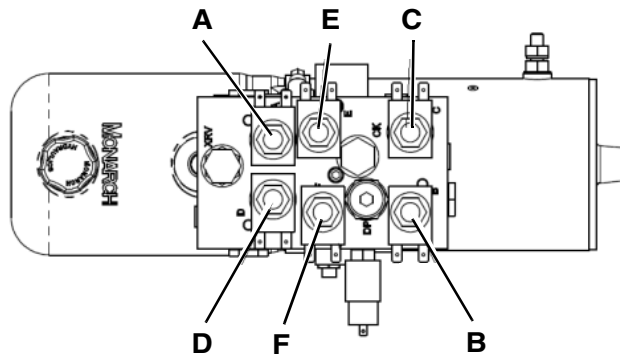
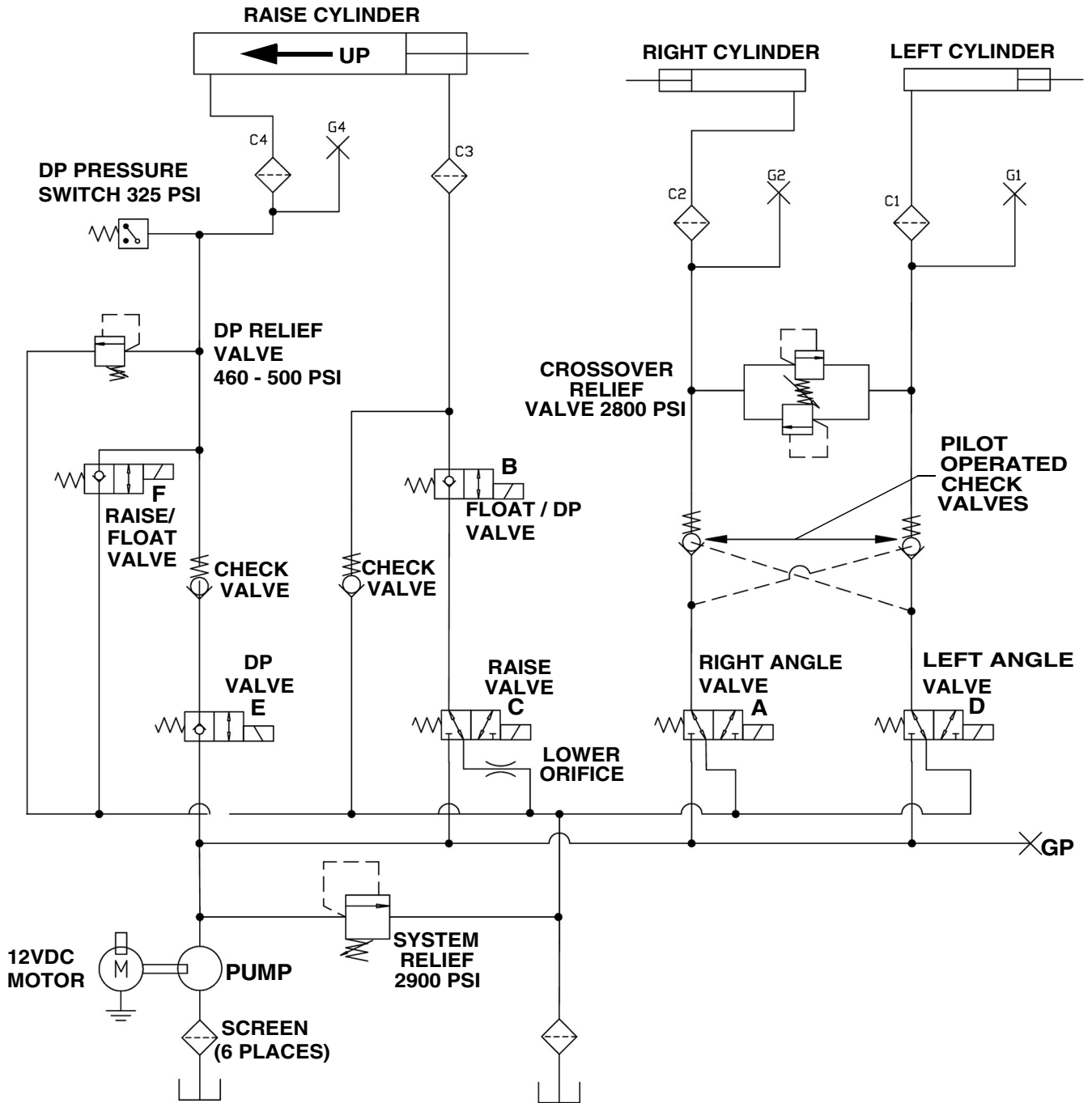
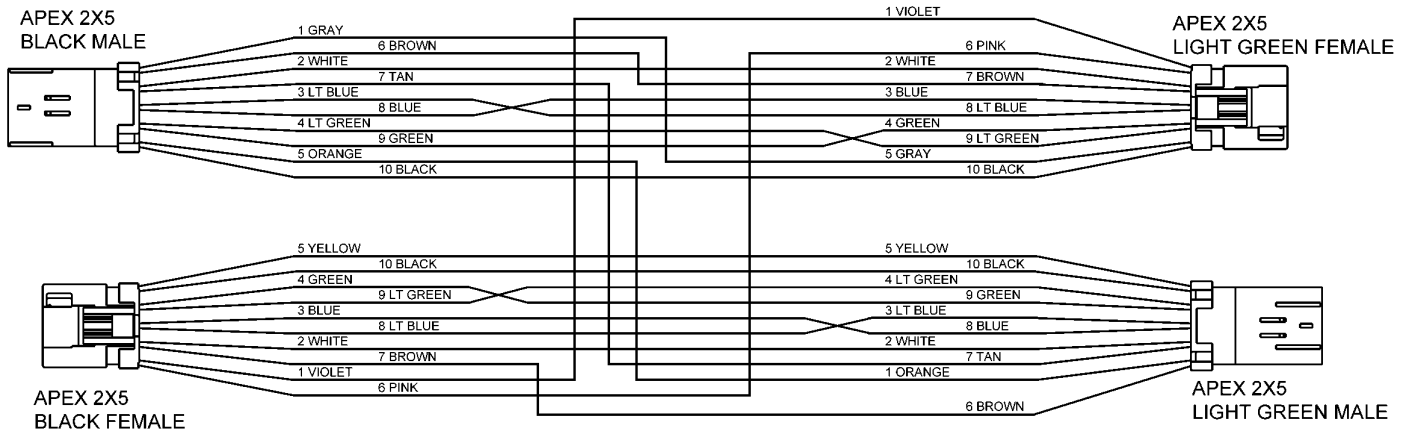


# HYDRAULIC SCHEMATIC



# MAIN WIRING HARNESS SCHEMATIC

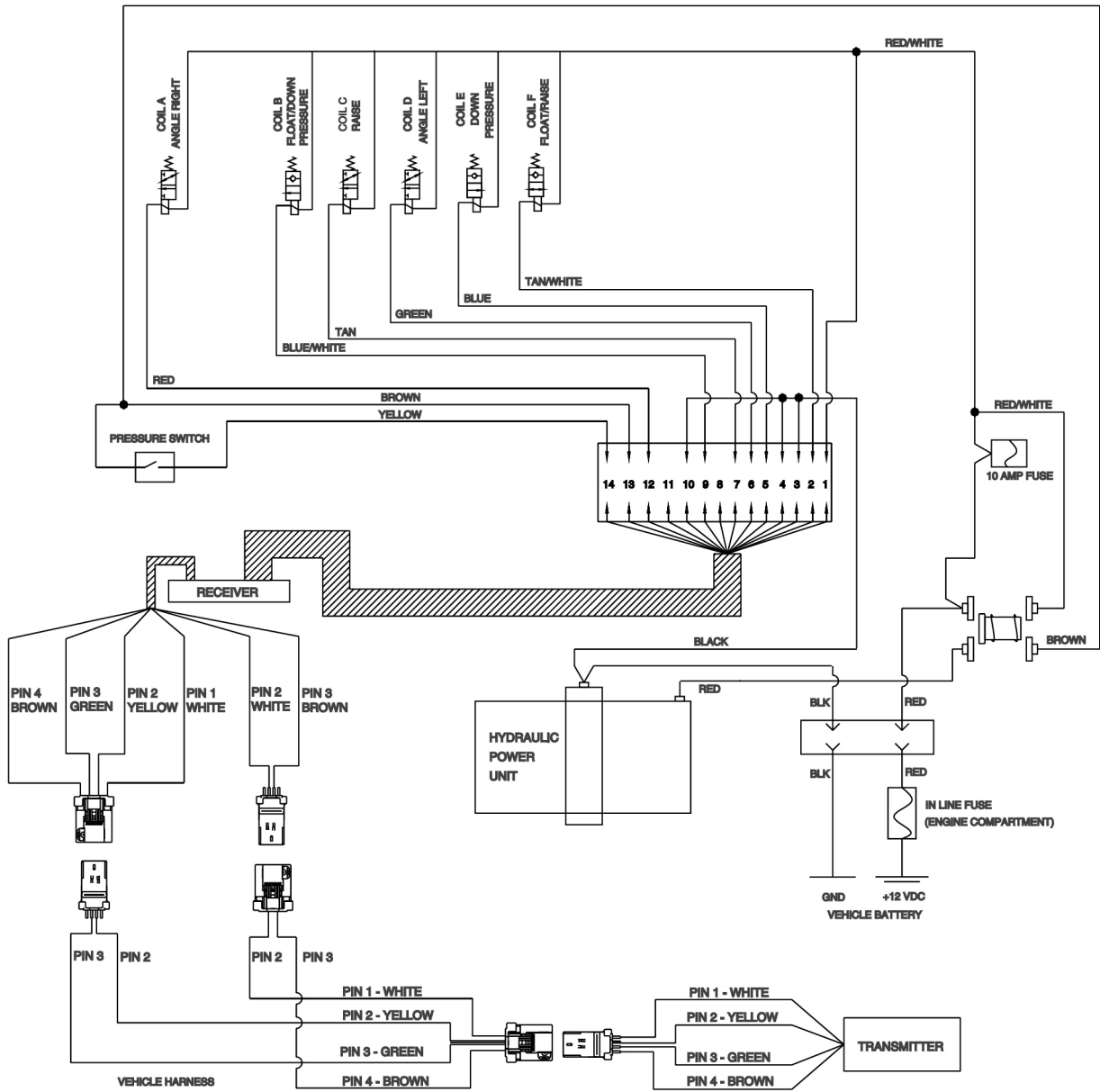
## EIS<sup>®</sup> (Energy Interruption System)



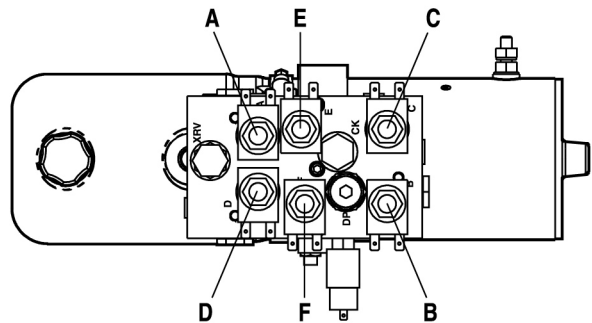


# WIRING SCHEMATIC

With S.N. Before MBC100499



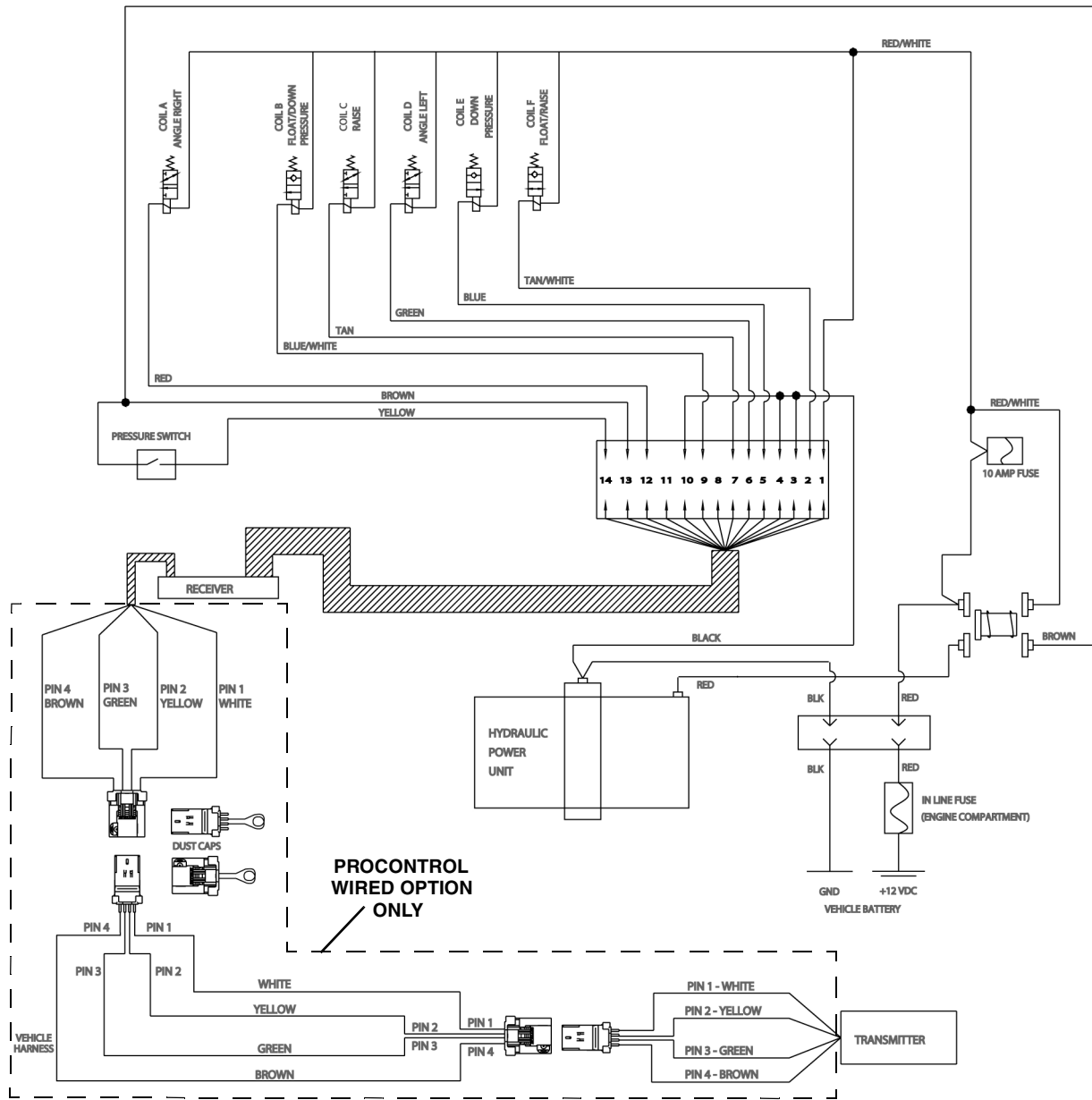
PLOW FUNCTION	MOTOR SOLENOID	A	B	C	D	E	F	PRESSURE SWITCH
WIRE COLOR	BROWN	RED	BLUE/WHITE	TAN	GREEN	BLUE	TAN/WHITE	YELLOW AND BROWN
RAISE	X			X			X	
DOWN (FLOAT)			X				X	
DOWN PRESSURE™			X			X		X
ANGLE LEFT	X				X			
ANGLE RIGHT	X	X						



NOTE: COIL E MUST BE DEACTIVATED FOR ANGLE FUNCTIONS



# WIRING SCHEMATIC With S.N. After MBC100500



PLOW FUNCTION	MOTOR SOLENOID	A	B	C	D	E	F	PRESSURE SWITCH
WIRE COLOR	BROWN	RED	BLUE/WHITE	TAN	GREEN	BLUE	TAN/WHITE	YELLOW AND BROWN
RAISE	X			X			X	
DOWN (FLOAT)			X				X	
DOWN PRESSURE™			X			X		X
ANGLE LEFT	X			X				
ANGLE RIGHT	X	X						

NOTE: COIL E MUST BE DEACTIVATED FOR ANGLE FUNCTIONS

