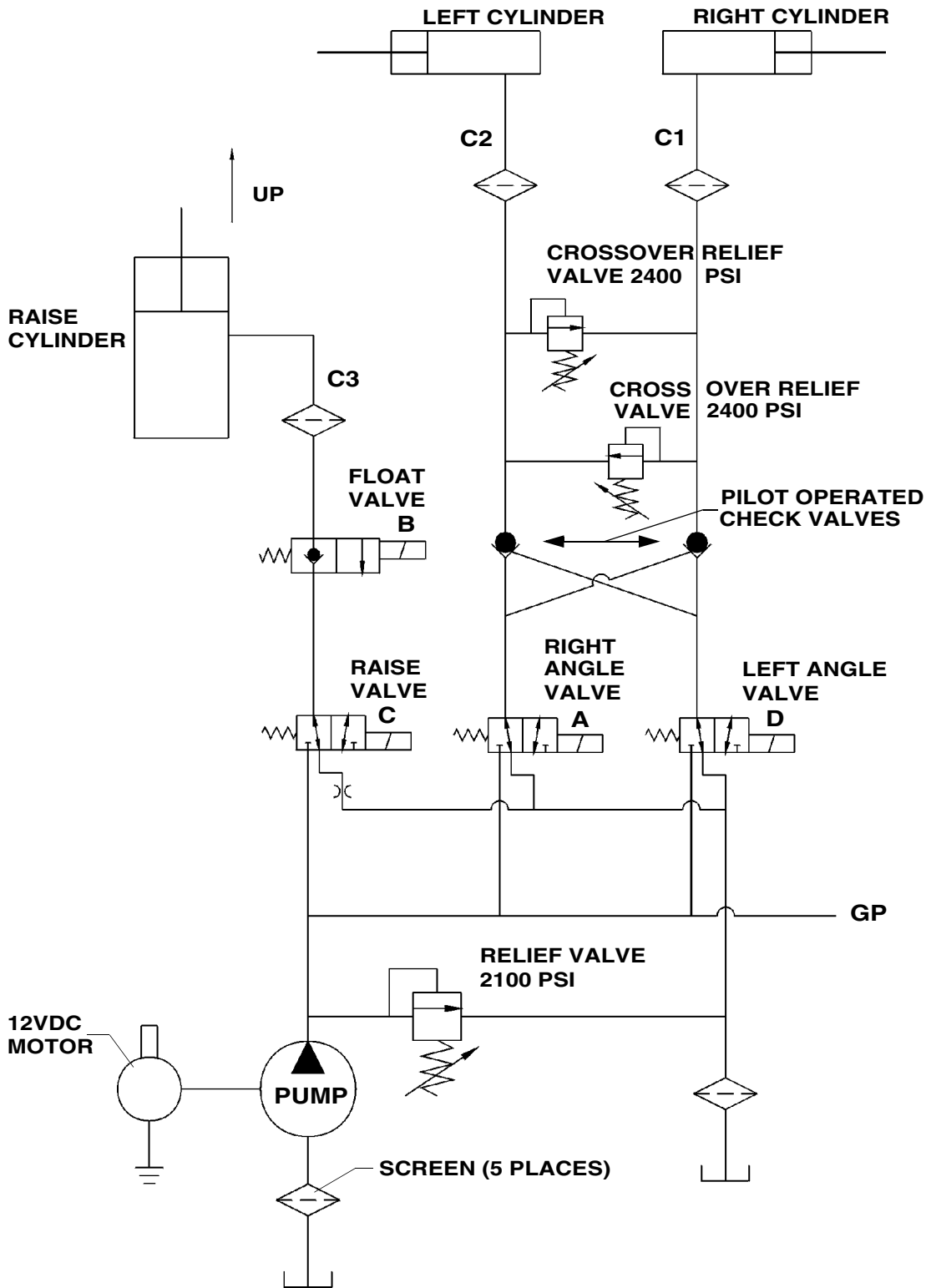
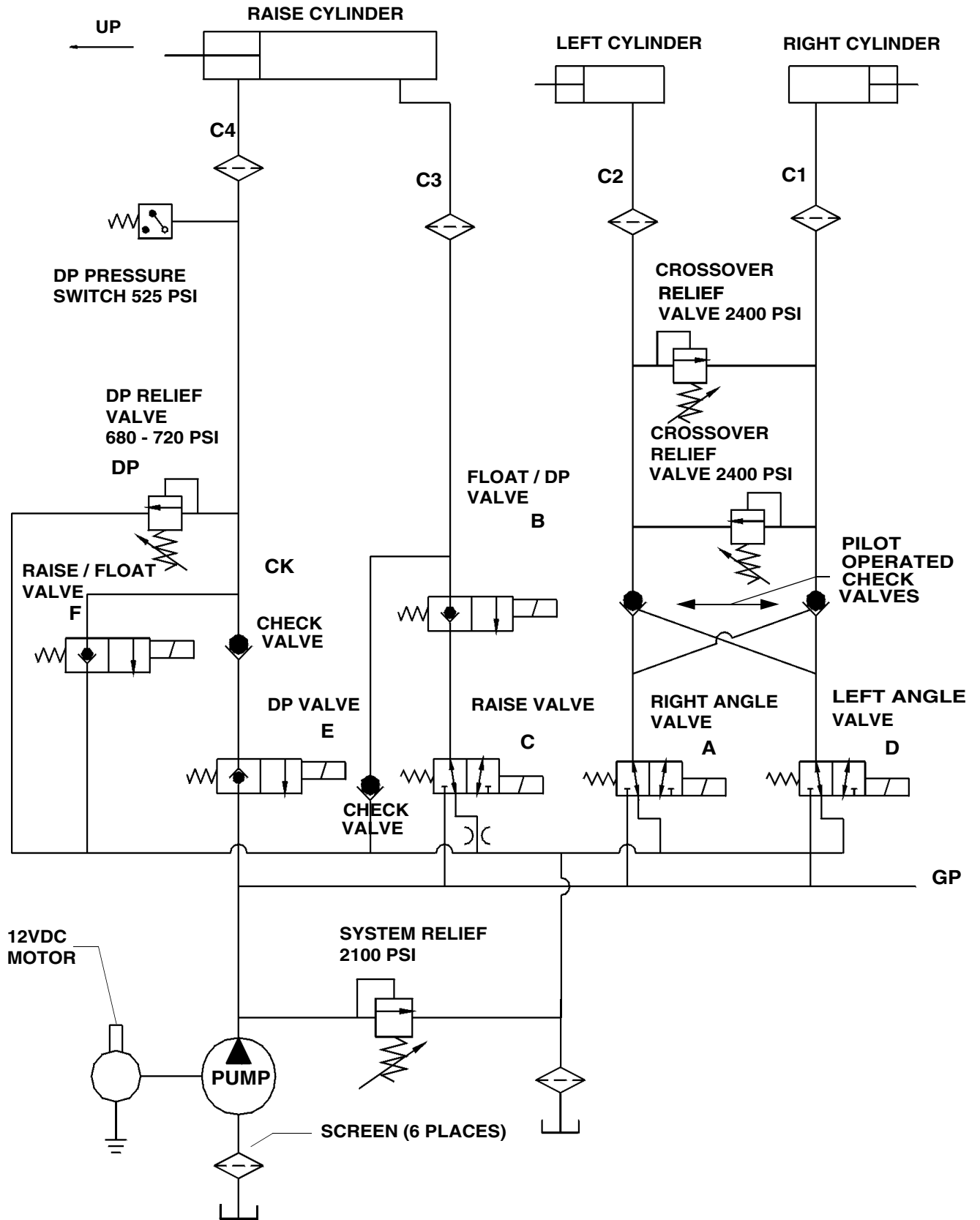


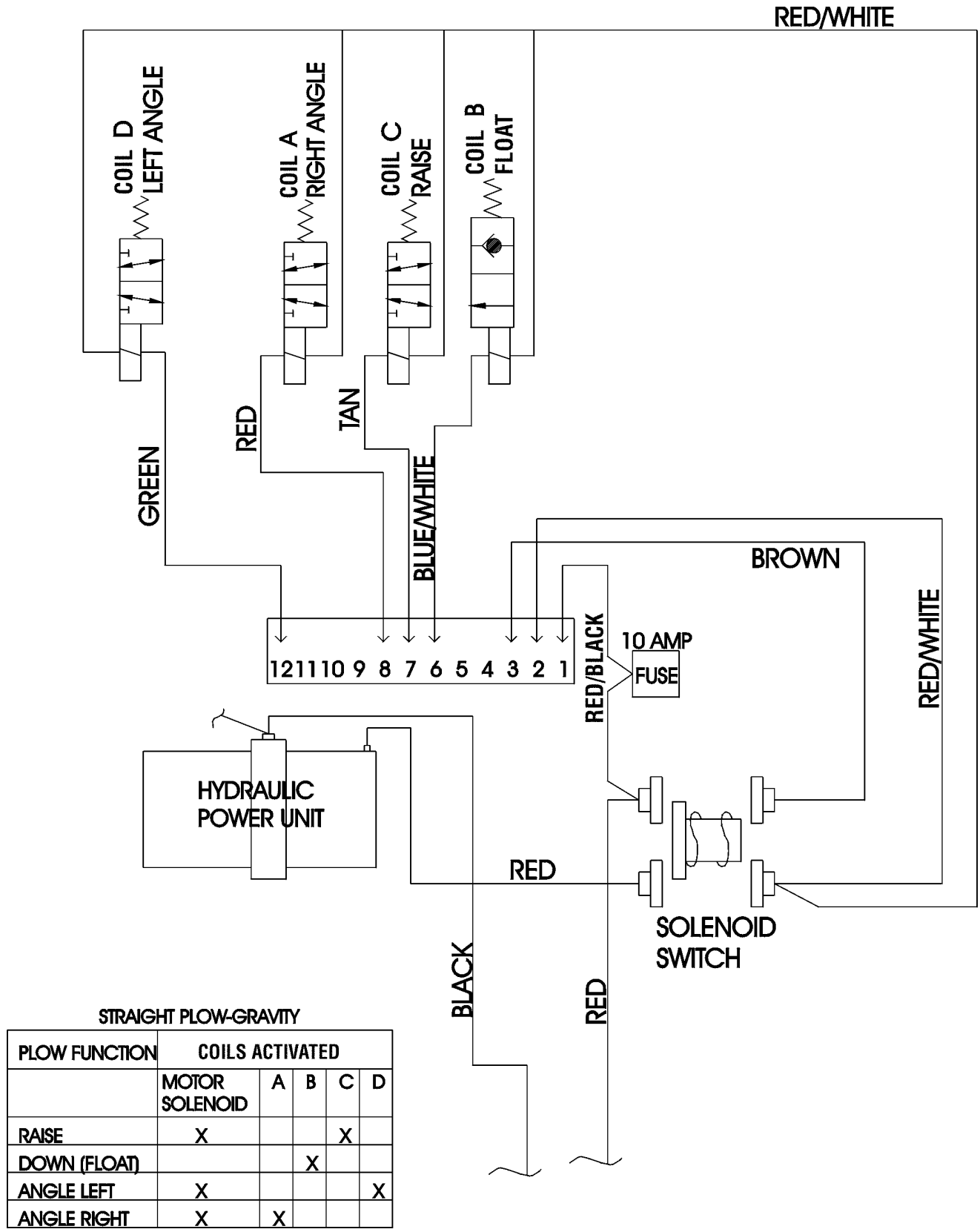
HYDRAULIC SCHEMATIC (Gravity Down System)



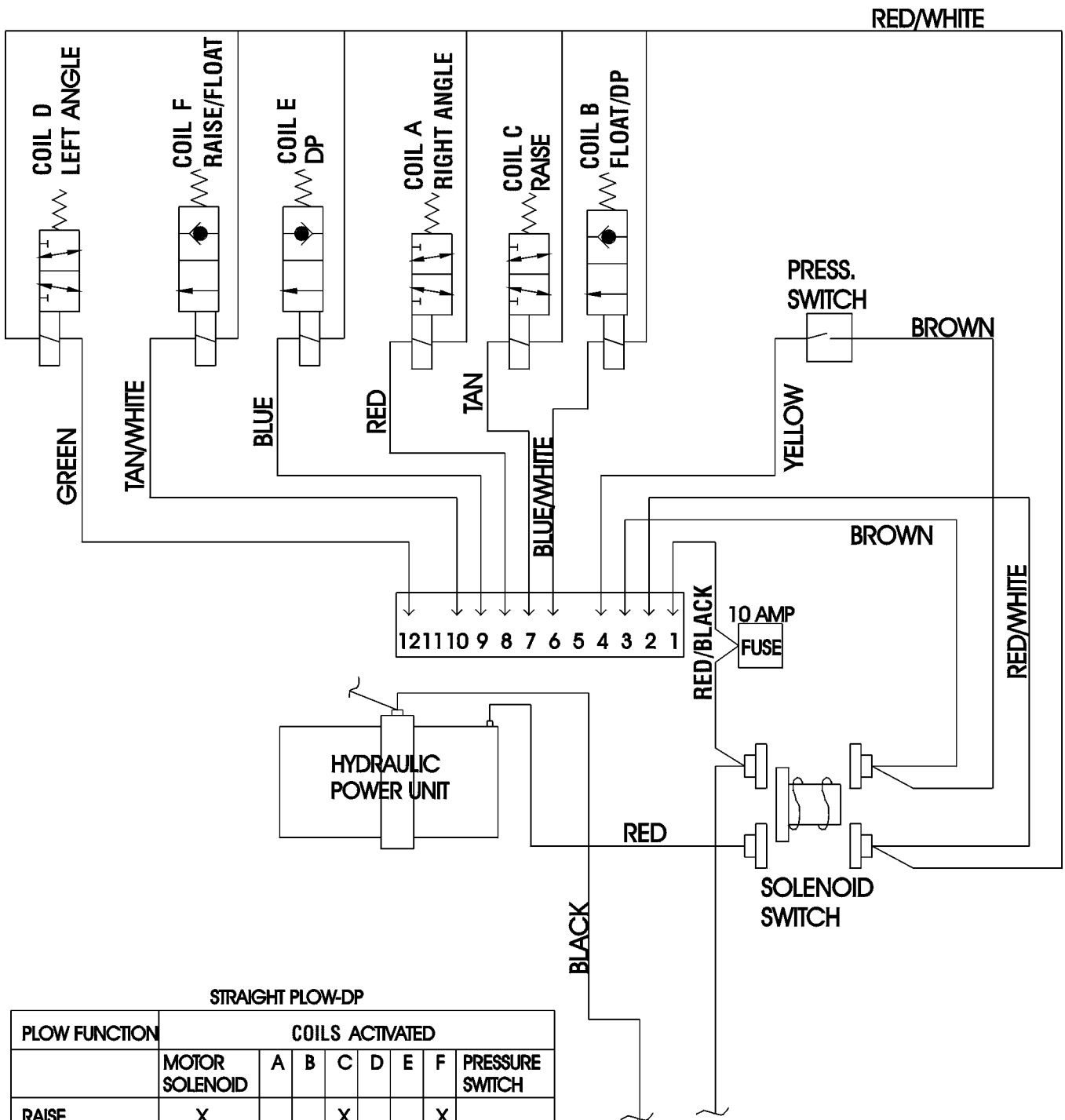
HYDRAULIC SCHEMATIC (Down Pressure System)



WIRING SCHEMATIC (Gravity Down System)



WIRING SCHEMATIC (Down Pressure System)



STRAIGHT PLOW-DP

PLOW FUNCTION	COILS ACTIVATED						PRESSURE SWITCH
	MOTOR SOLENOID	A	B	C	D	E	
RAISE	X			X			X
DOWN (FLOAT)			X				X
DOWN PRESSURE	X		X			X	X
ANGLE LEFT	X				X		
ANGLE RIGHT	X	X					

NOTE: COIL E MUST BE DEACTIVATED FOR ANGLE FUNCTIONS