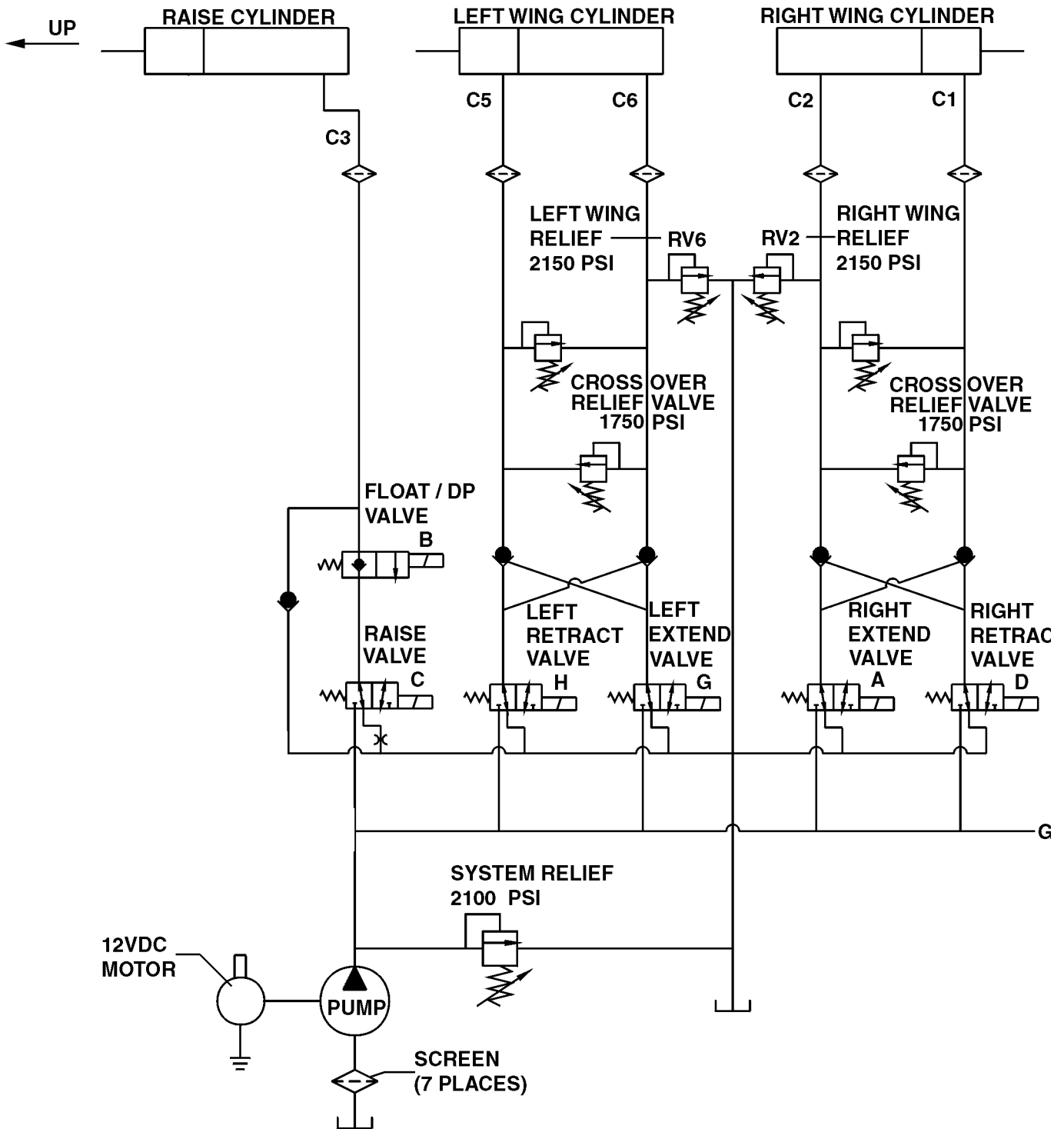
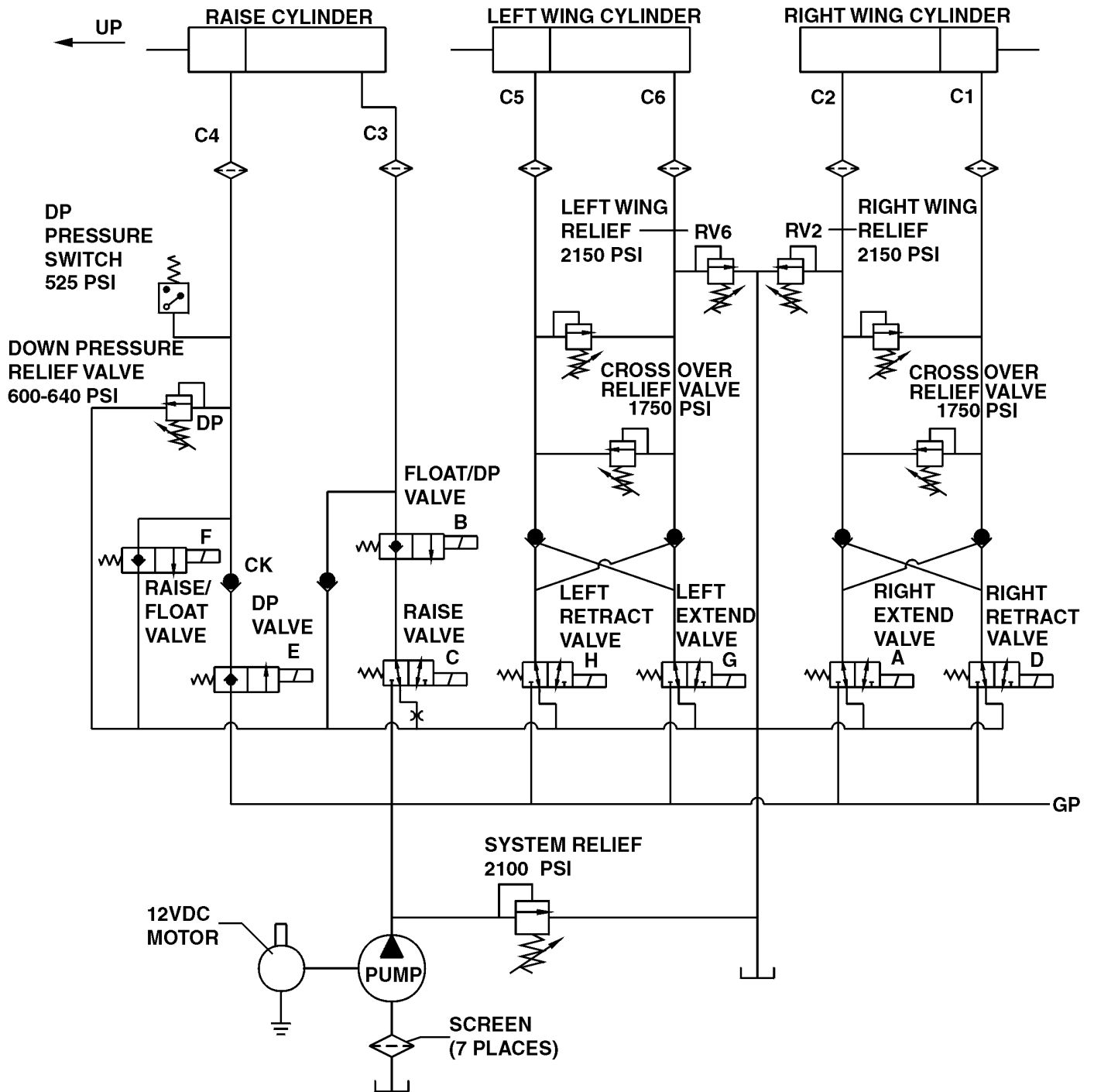


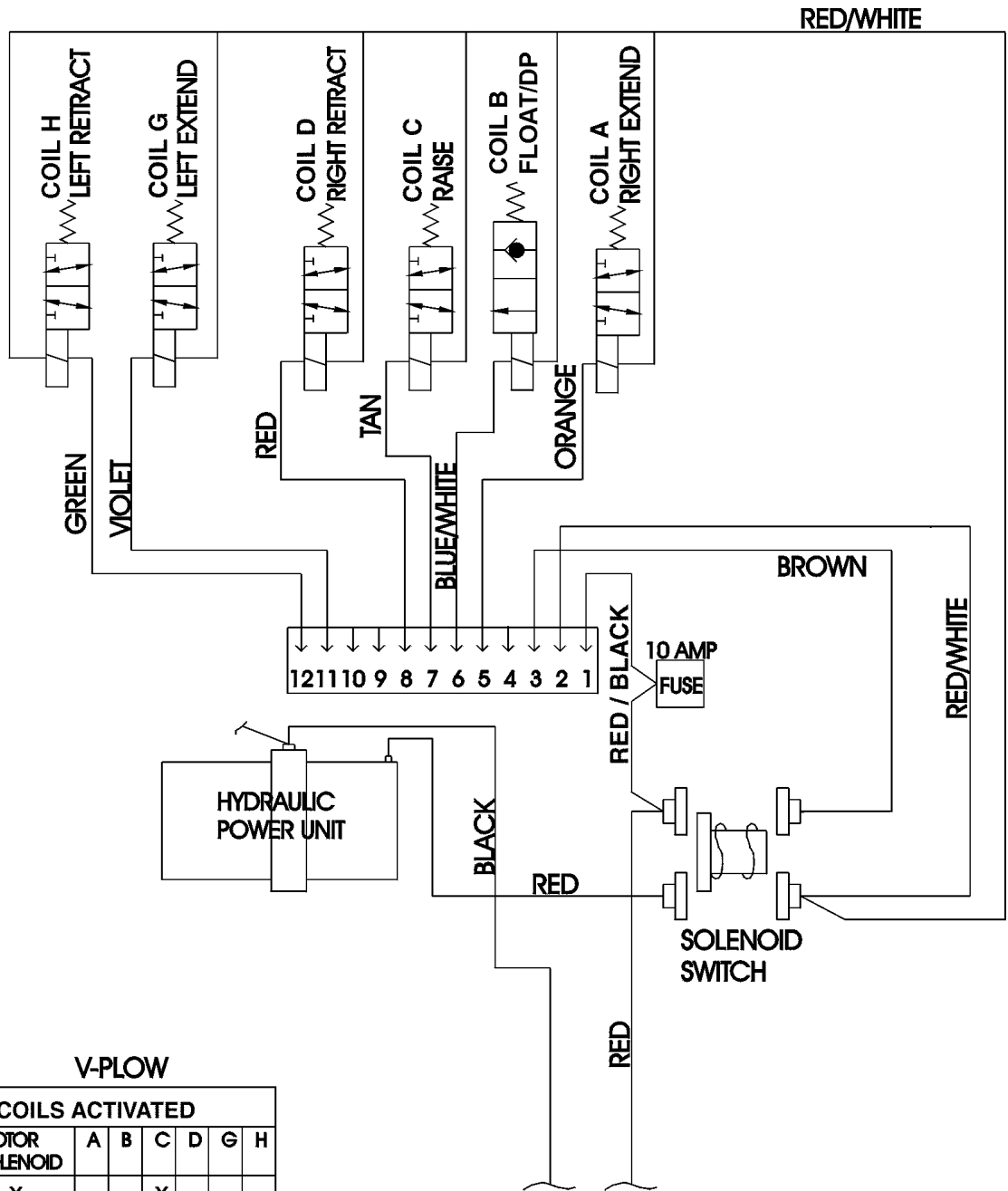
# HYDRAULIC SCHEMATIC (GRAVITY)



# HYDRAULIC SCHEMATIC (DOWN PRESSURE)



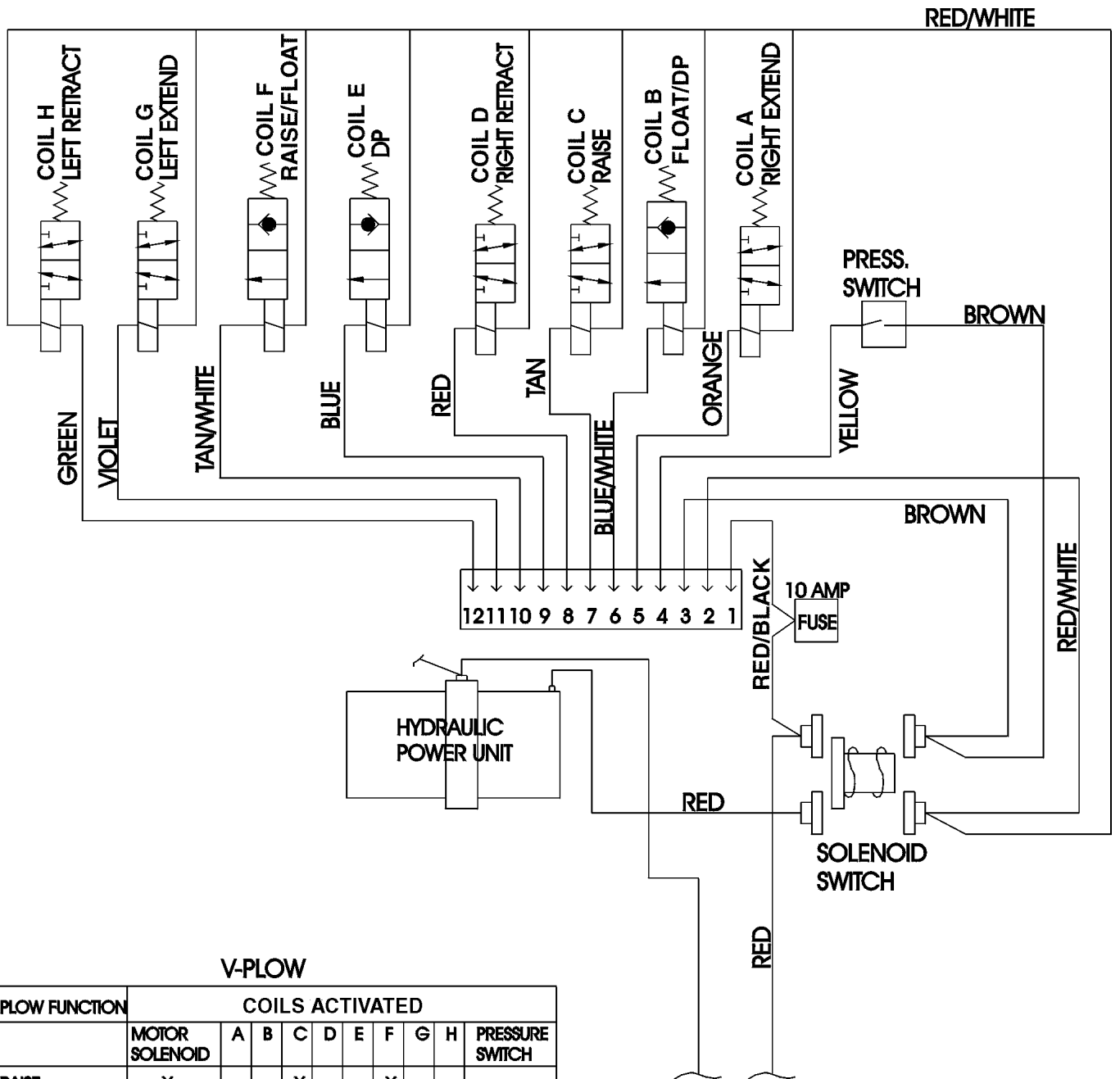
# WIRING SCHEMATIC (GRAVITY)



V-PLOW

FLOW FUNCTION	COILS ACTIVATED							
	MOTOR SOLENOID	A	B	C	D	G	H	
RAISE	X			X				
DOWN (FLOAT)			X					
LEFT EXTEND	X					X		
LEFT RETRACT	X						X	
RIGHT EXTEND	X	X						
RIGHT RETRACT	X			X				

# WIRING SCHEMATIC (DOWN PRESSURE)



**V-PLow**

PLOW FUNCTION	COILS ACTIVATED								PRESSURE SWITCH	
	MOTOR SOLENOID	A	B	C	D	E	F	G		H
RAISE	X			X			X			
DOWN (FLOAT)			X				X			
DOWN PRESSURE	X		X			X				X
LEFT EXTEND	X							X		
LEFT RETRACT	X								X	
RIGHT EXTEND	X	X								
RIGHT RETRACT	X				X					

NOTE: COIL E MUST BE DEACTIVATED FOR WING ANGLE FUNCTIONS