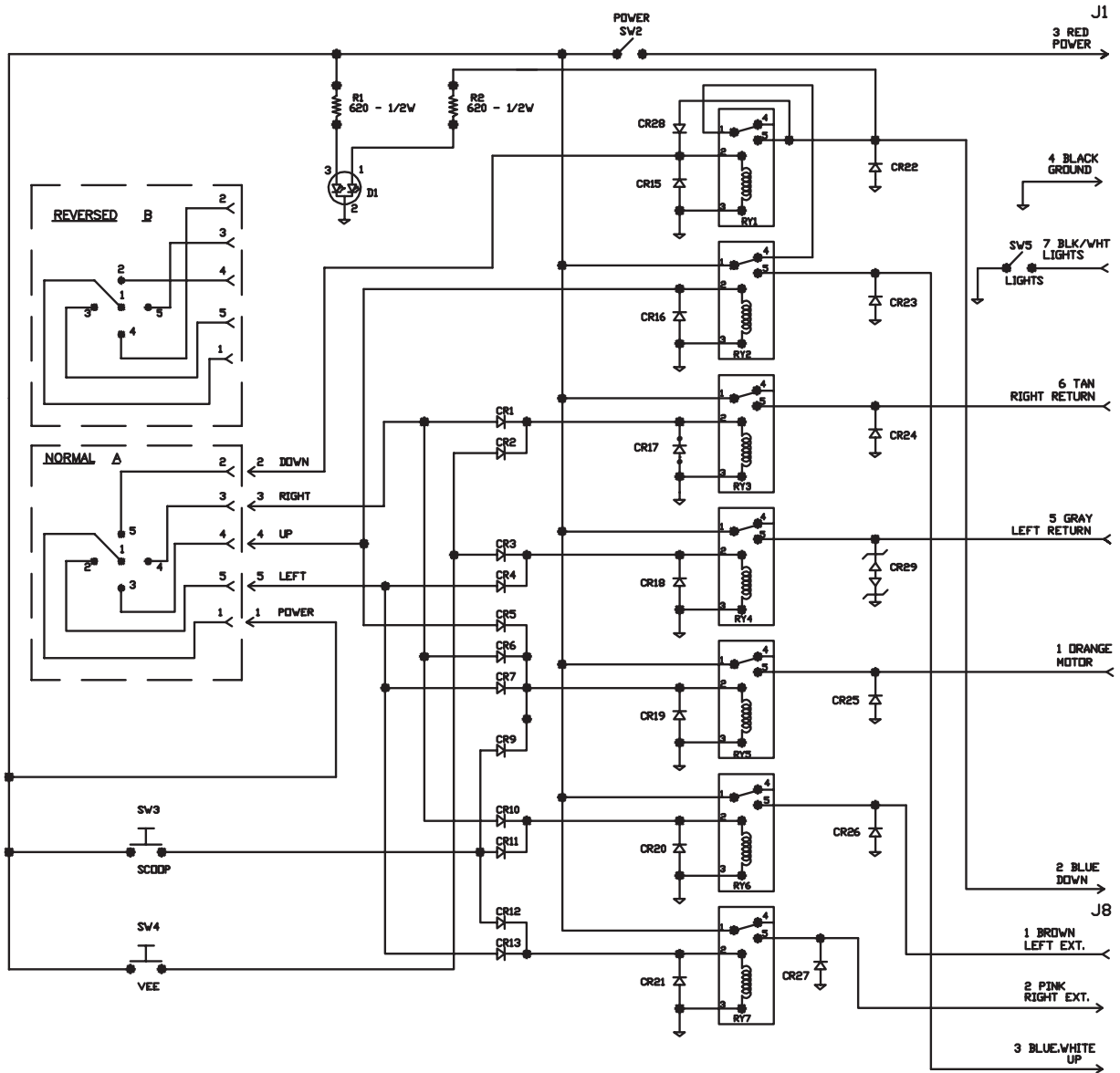
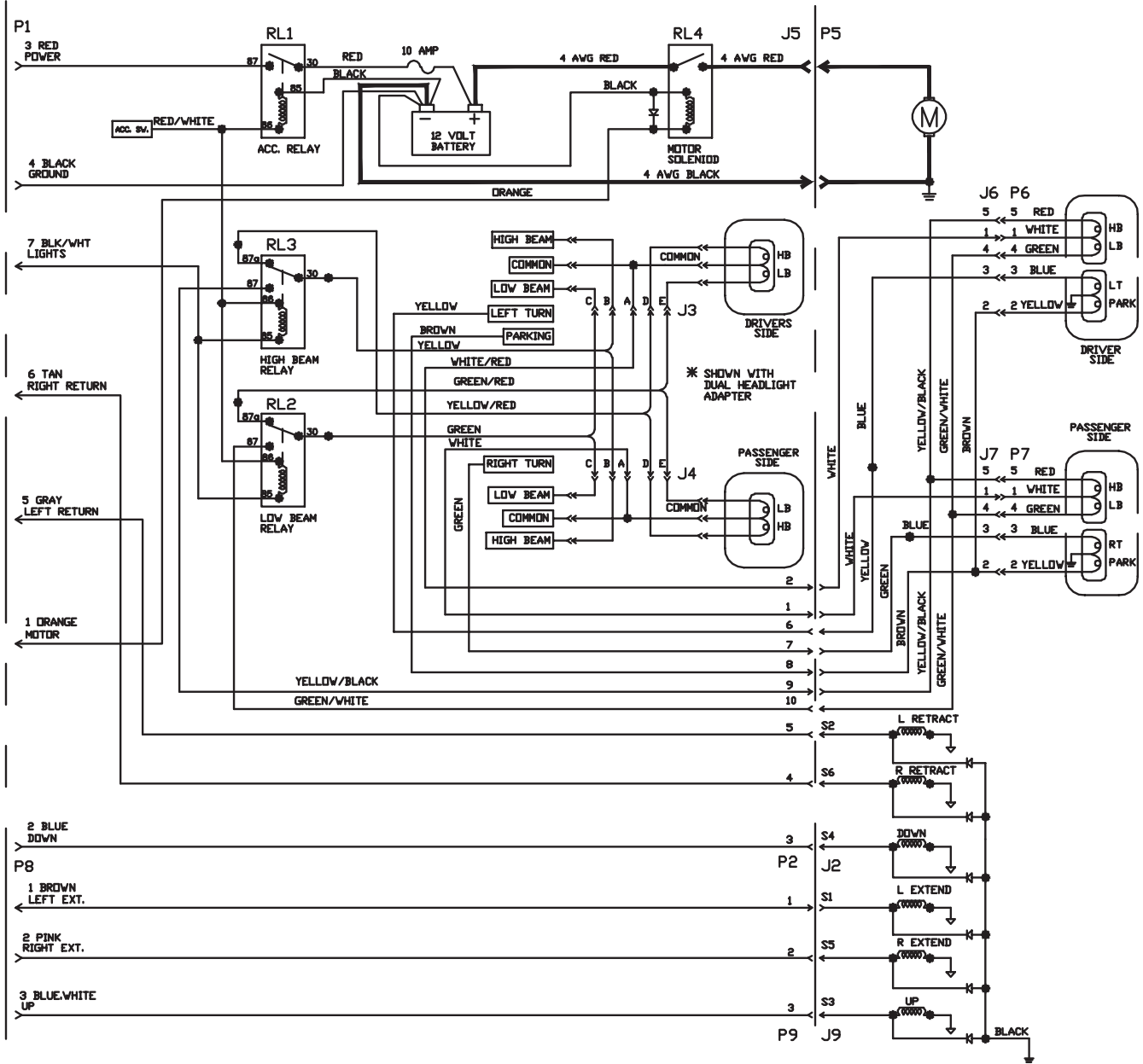


# CAB CONTROL



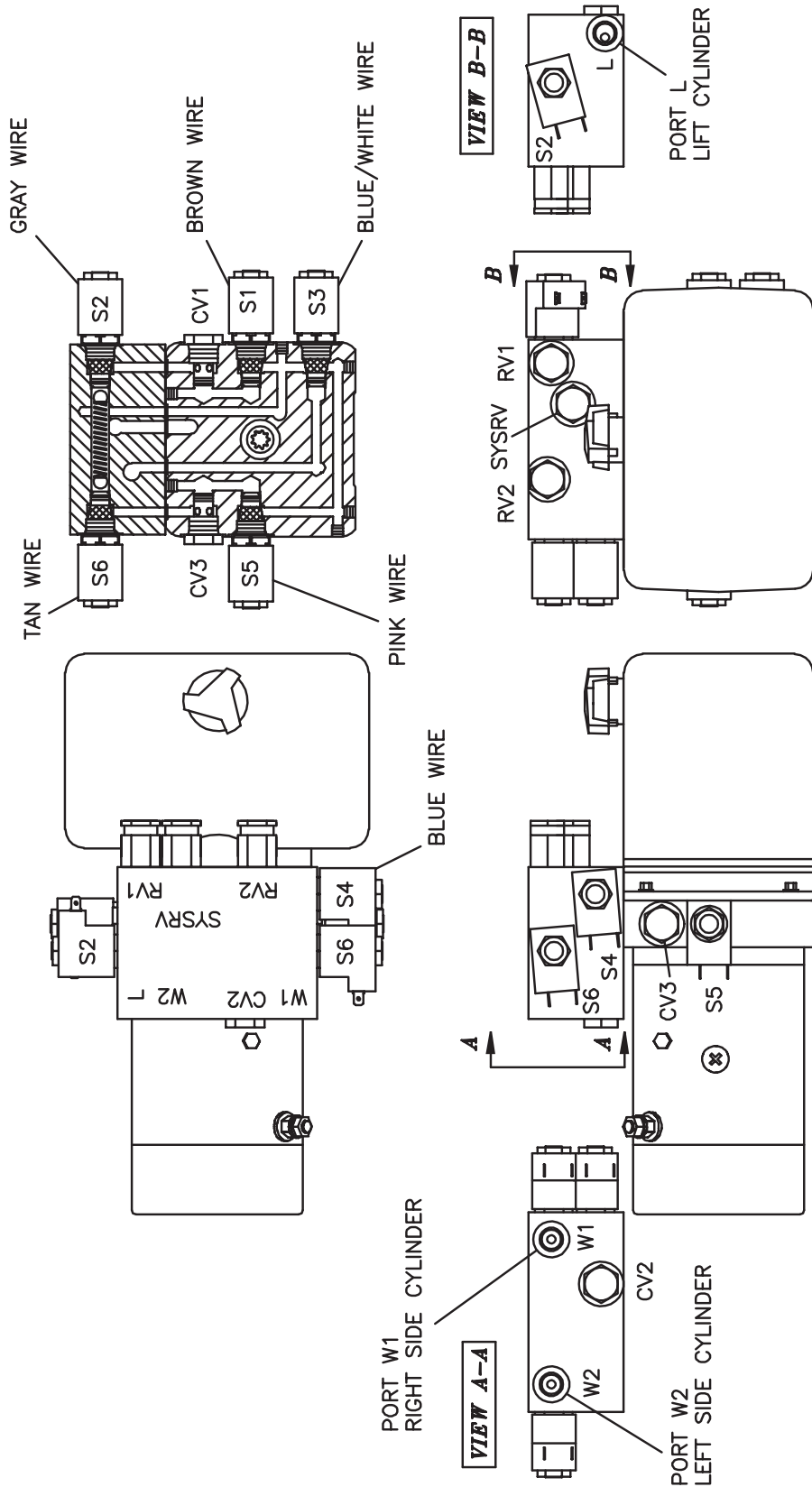
UNDERHOOD HARNESS

EXTERNAL HARNESS



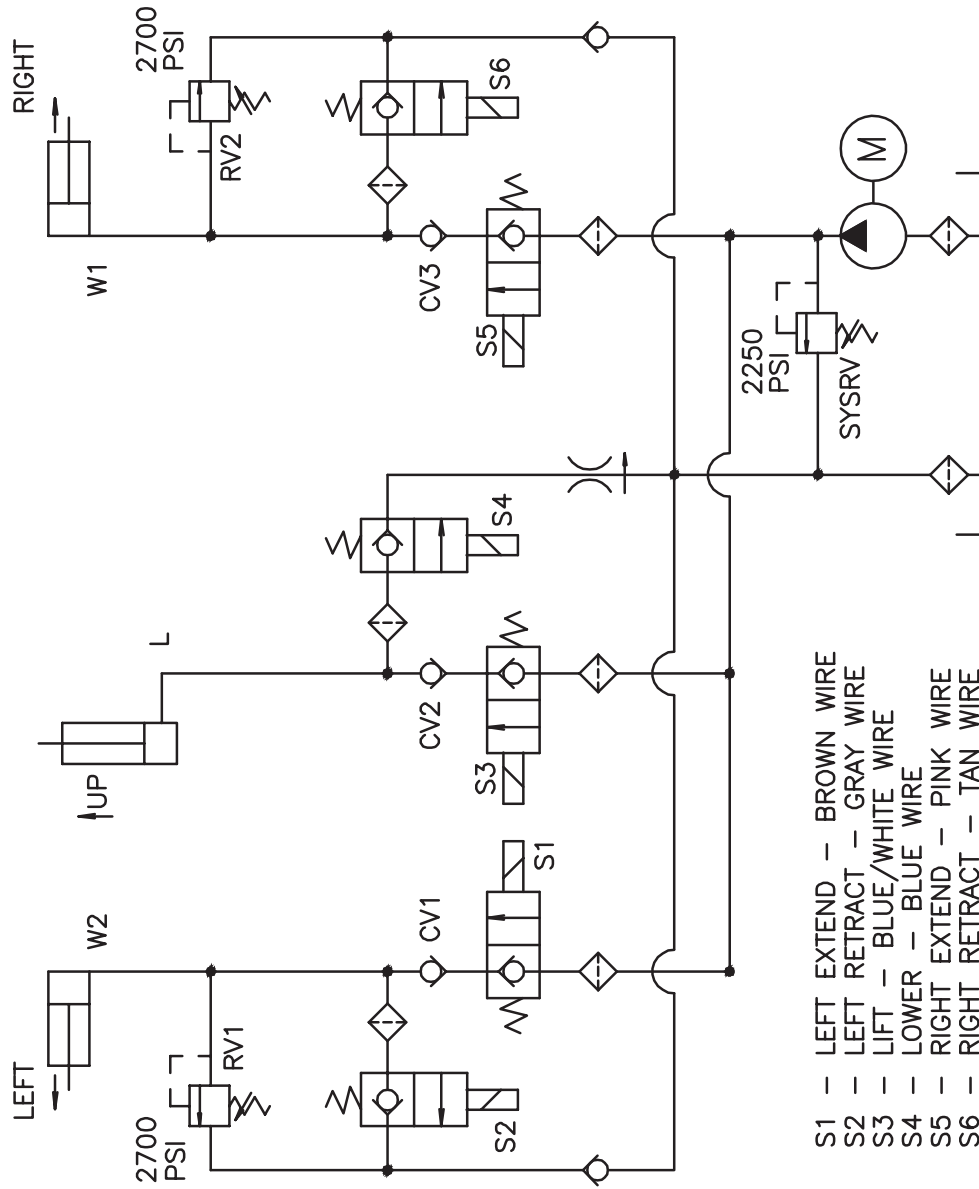
DATE: 3-24-05  
V-PLOW 2005

# V-PLOW POWER UNIT



RV1 - RELIEF VALVE, LEFT SIDE WING, 2700 PSI  
 RV2 - RELIEF VALVE, RIGHT SIDE WING, 2700 PSI  
 SYSRV - RELIEF VALVE, SYSTEM, 2250 PSI

# POWER UNIT HYDRAULIC CIRCUIT DIAGRAM



- S1 - LEFT EXTEND - BROWN WIRE
- S2 - LEFT RETRACT - GRAY WIRE
- S3 - LIFT - BLUE/WHITE WIRE
- S4 - LOWER - BLUE WIRE
- S5 - RIGHT EXTEND - PINK WIRE
- S6 - RIGHT RETRACT - TAN WIRE