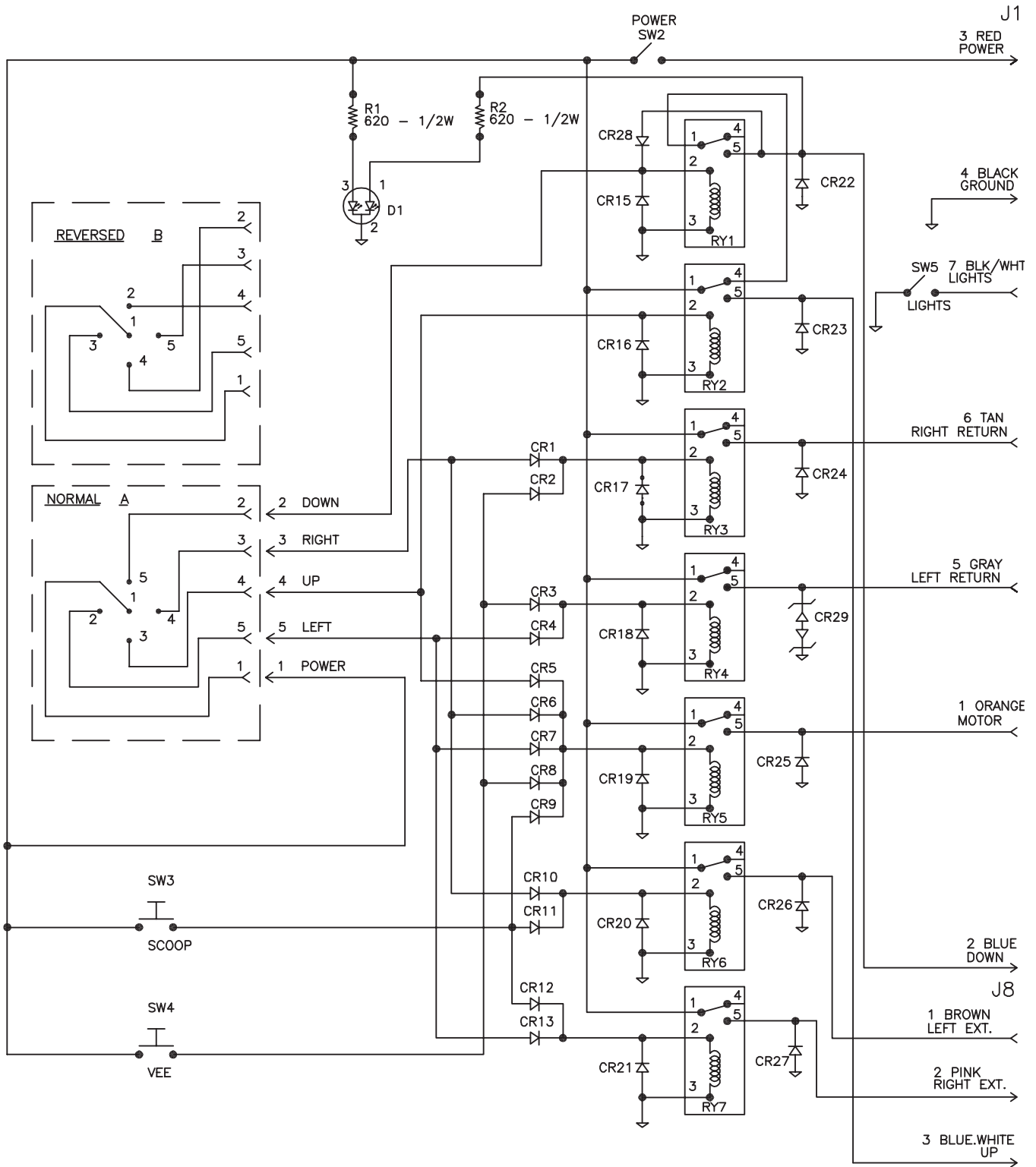
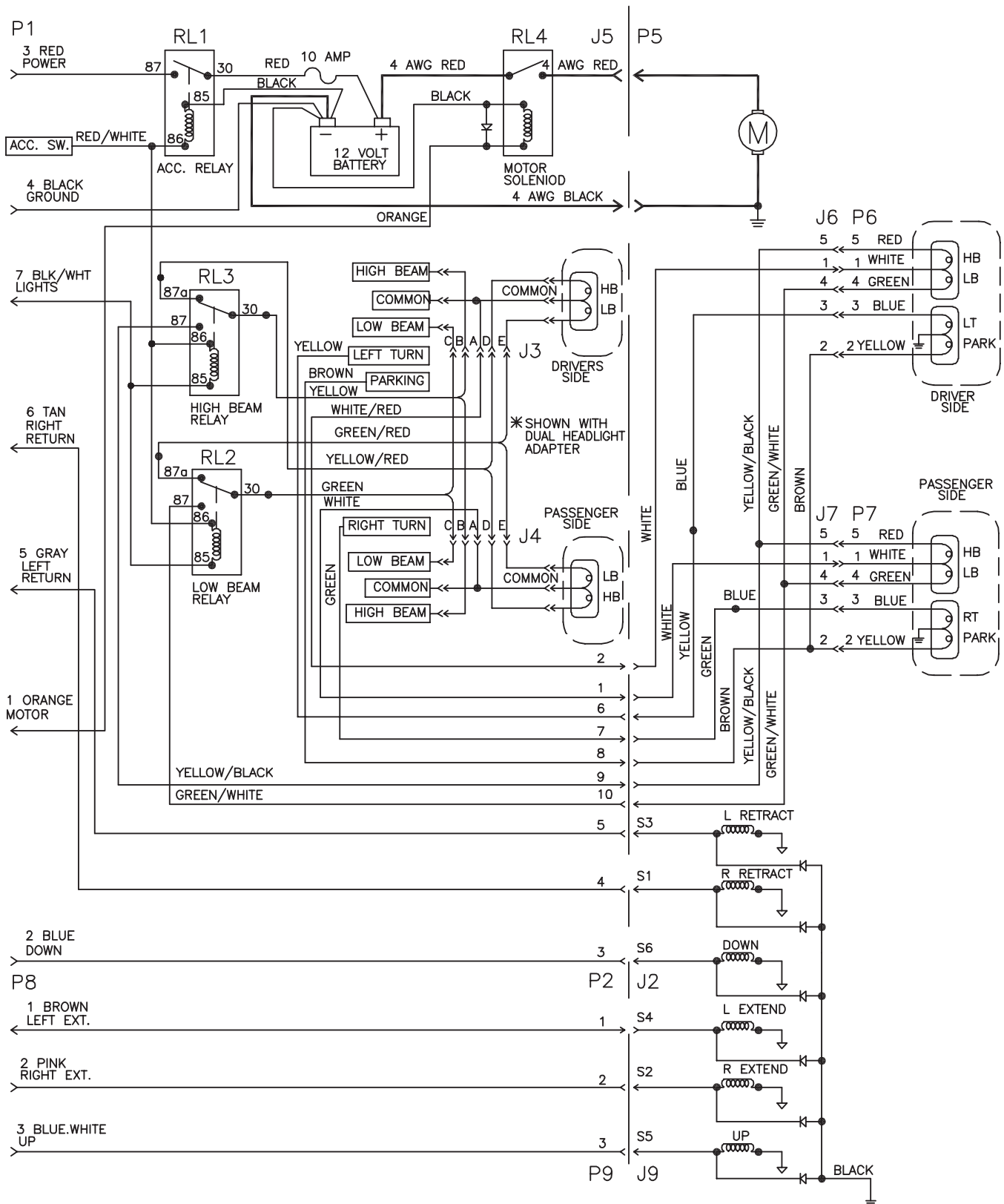


CAB CONTROL

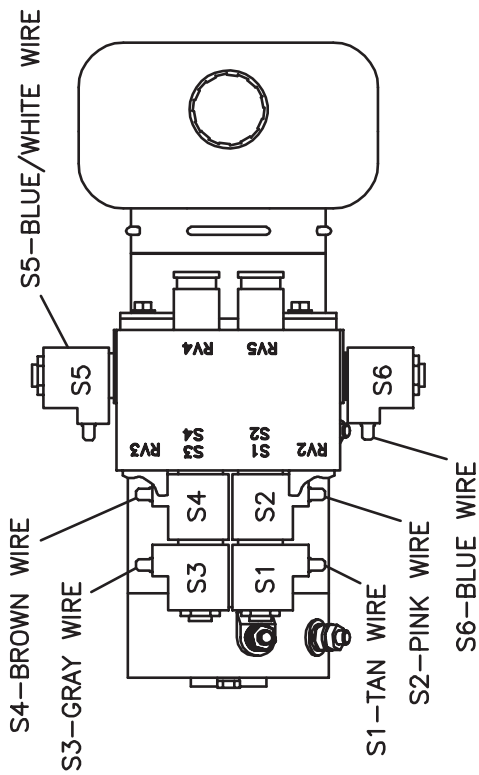


UNDERHOOD HARNESS

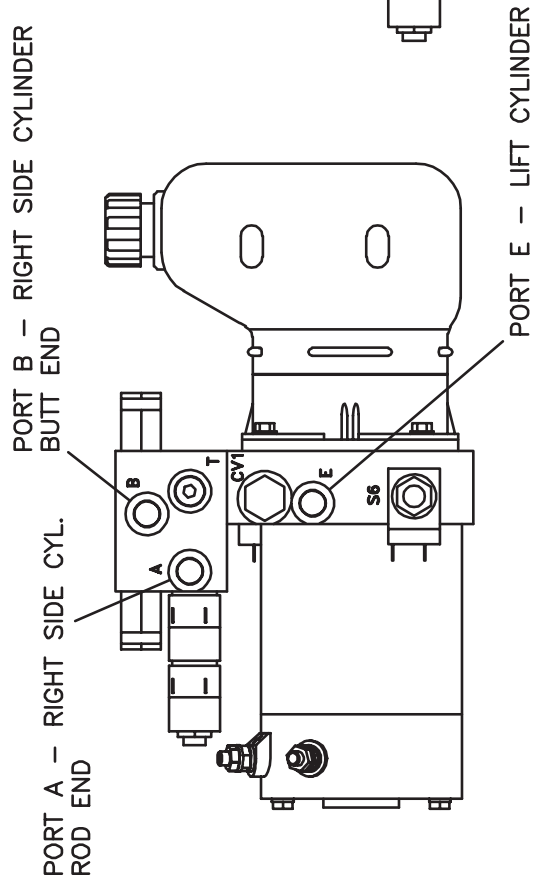
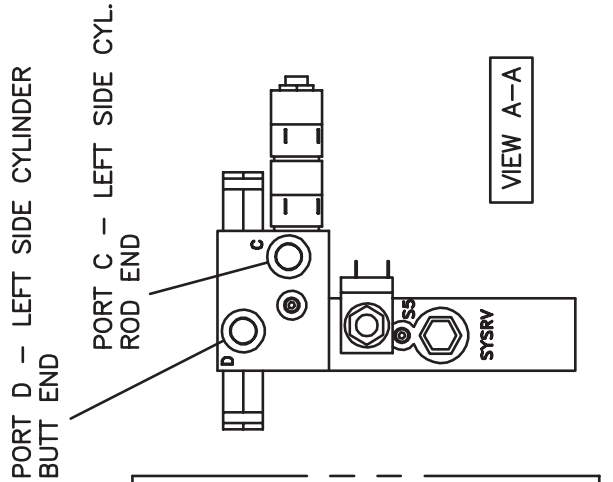
EXTERNAL HARNESS



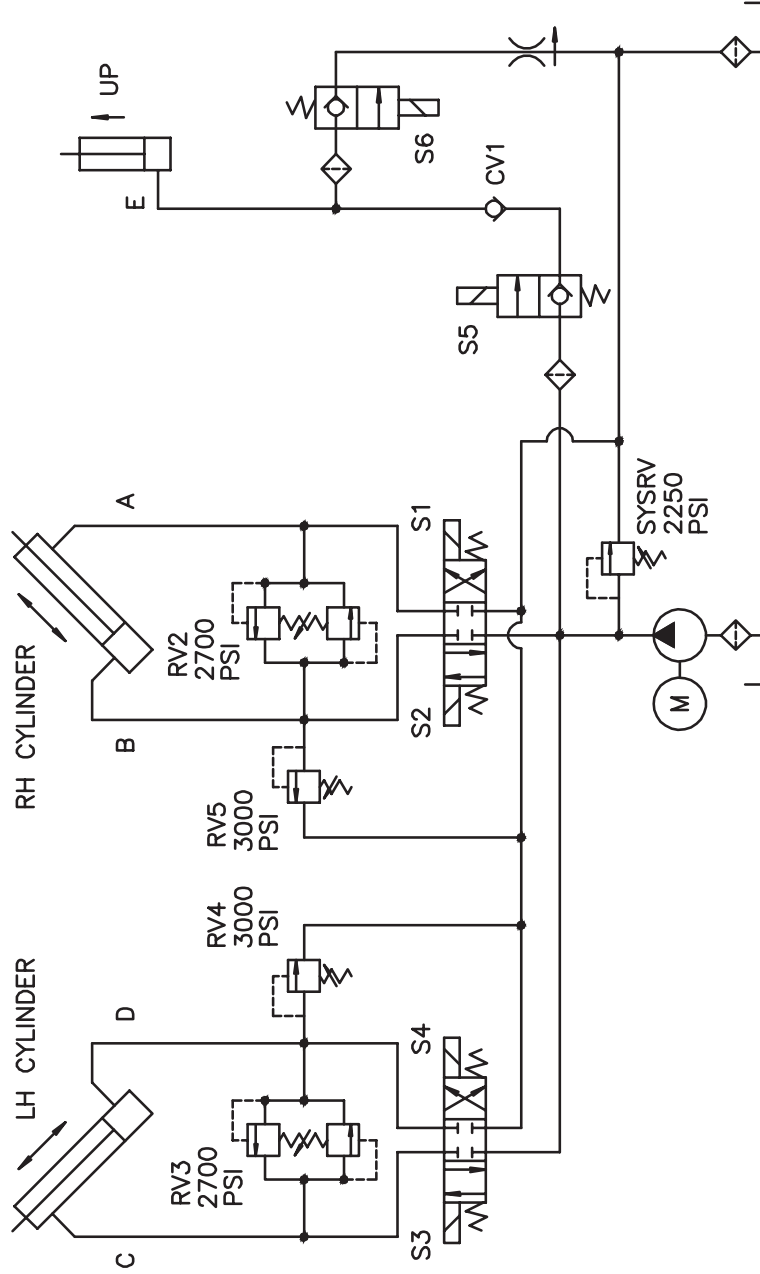
V-Plow Power Unit



- S1 -- RIGHT RETRACT -- TAN WIRE
- S2 -- RIGHT EXTEND -- PINK WIRE
- S3 -- LEFT RETRACT -- GRAY WIRE
- S4 -- LEFT EXTEND -- BROWN WIRE
- S5 -- LIFT -- BLUE/WHITE WIRE
- S6 -- LOWER -- BLUE WIRE



POWER UNIT HYDRAULIC CIRCUIT DIAGRAM



FUNCTION	S1	S2	S3	S4	S5	S6	MOTOR
VEE	X		X				X
SCOOP		X		X			X
ANGLE LEFT		X	X				X
ANGLE RIGHT	X			X			X
LIFT					X		X
LOWER						X	

- SYSRV - RELIEF VALVE, SYSTEM, 2250 PSI
- RV2 - RELIEF VALVE, RH CYL. CROSSOVER, 2700 PSI
- RV3 - RELIEF VALVE, LH CYL. CROSSOVER, 2700 PSI
- RV4 - RELIEF VALVE, LH CYL. RETRACTION, 3000 PSI
- RV5 - RELIEF VALVE, RH CYL. RETRACTION, 3000 PSI