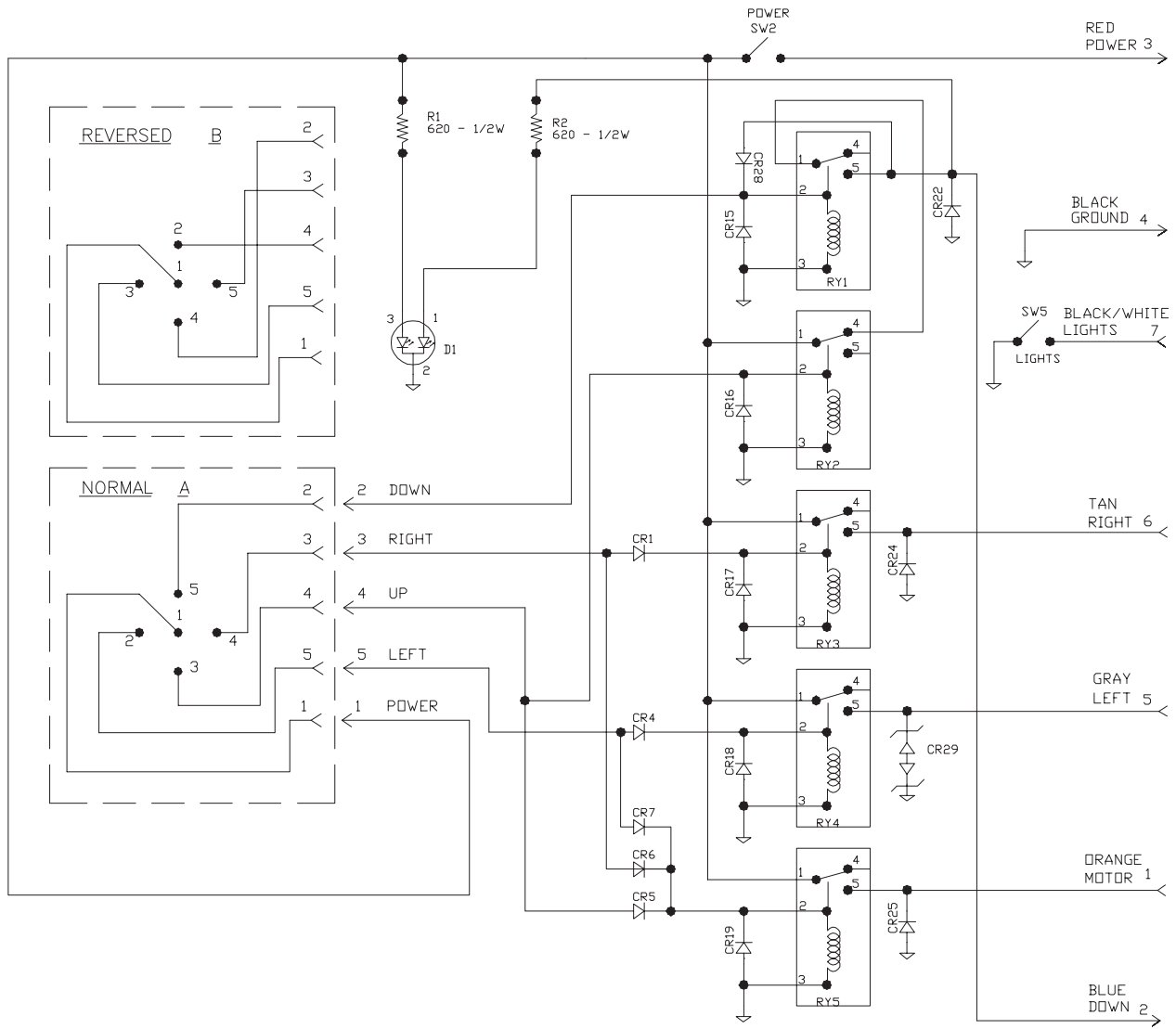


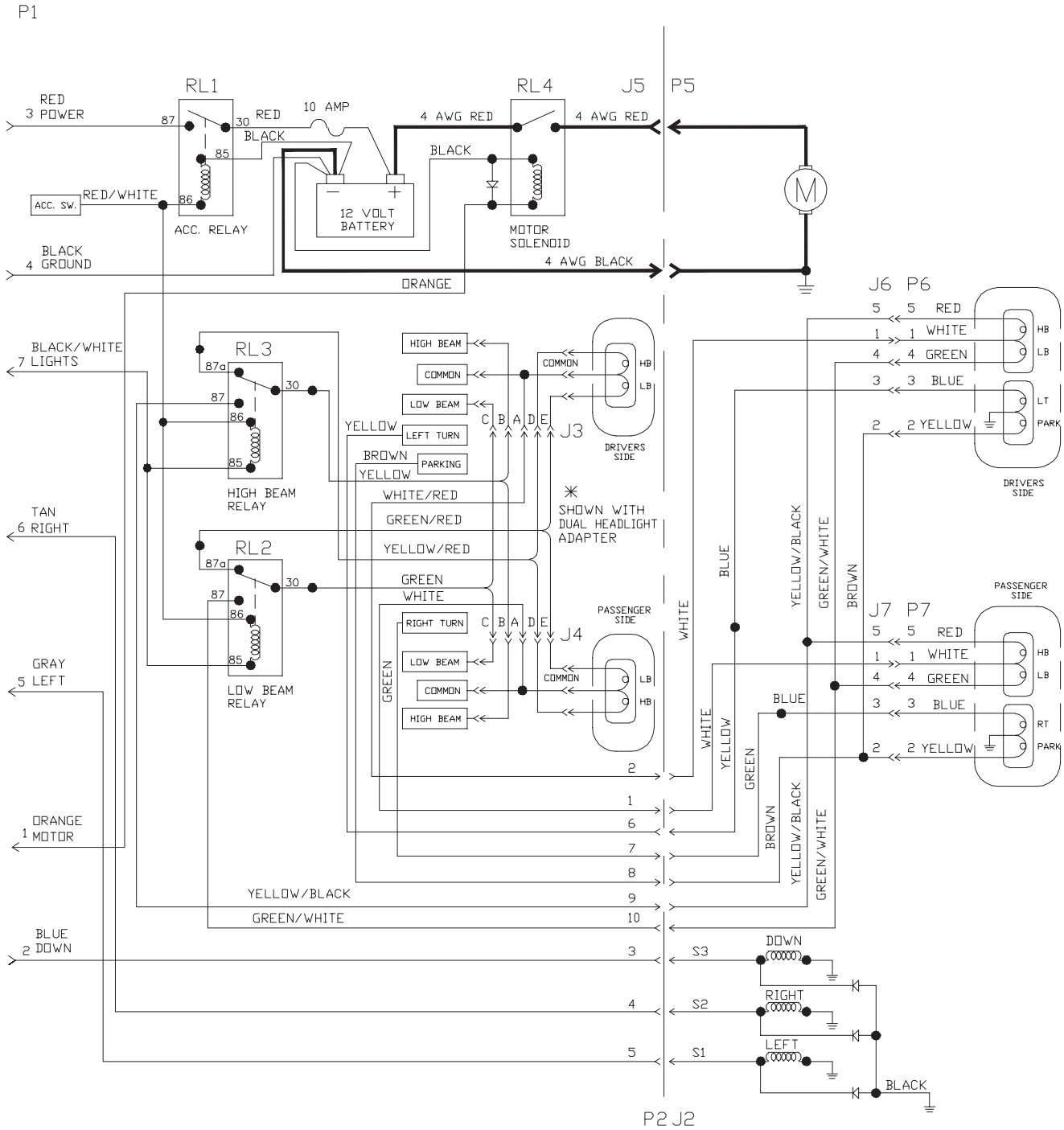
CAB CONTROL

J1



UNDERHOOD HARNESS

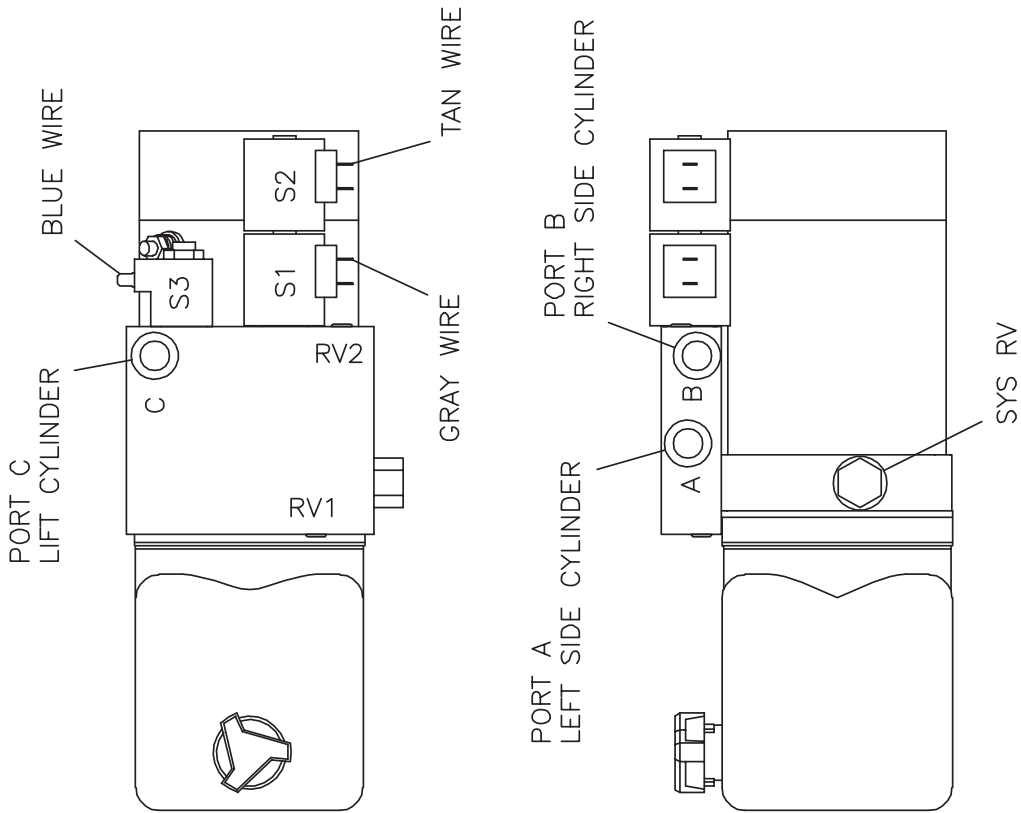
EXTERNAL HARNESS



DATE: 3-24-05
STR PLOW 2005

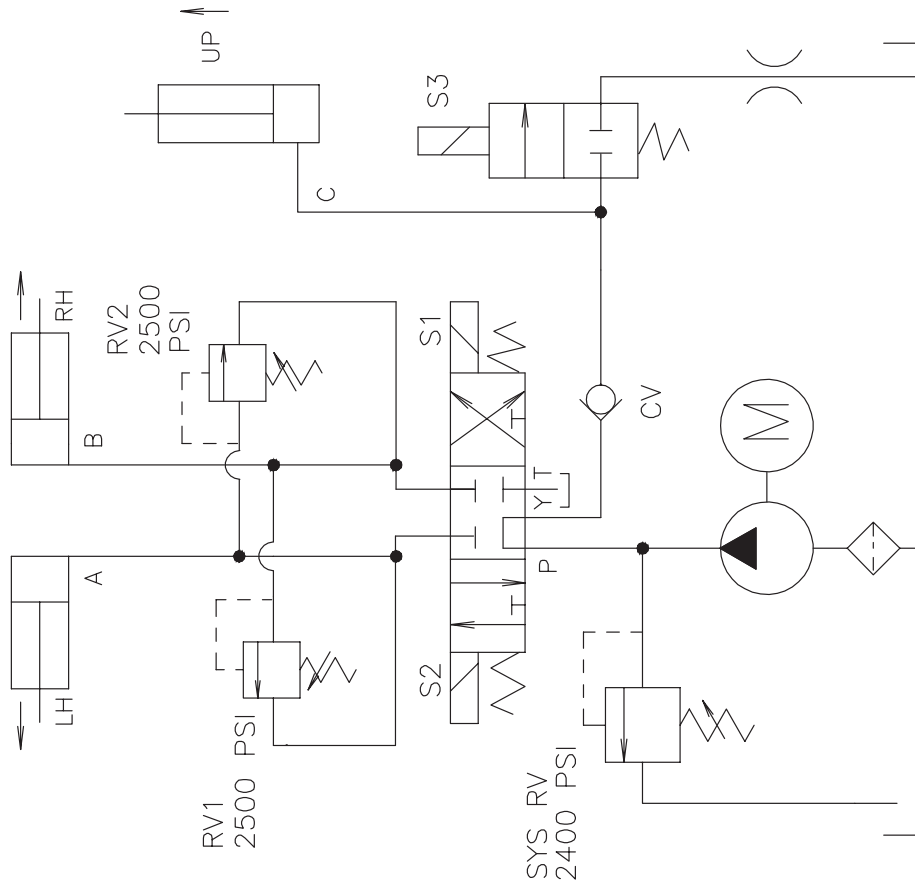
DWG NO. 5657

STRAIGHT PLOW POWER UNIT



RV1 - RELIEF VALVE, RIGHT SIDE CYLINDER, 2500 PSI
RV2 - RELIEF VALVE, LEFT SIDE CYLINDER, 2500 PSI
SYSRV - RELIEF VALVE, SYSTEM, 2400 PSI

POWER UNIT HYDRAULIC CIRCUIT DIAGRAM



- S1 - RIGHT EXTEND - GRAY WIRE
- S2 - LEFT EXTEND - TAN WIRE
- S3 - DOWN - BLUE WIRE