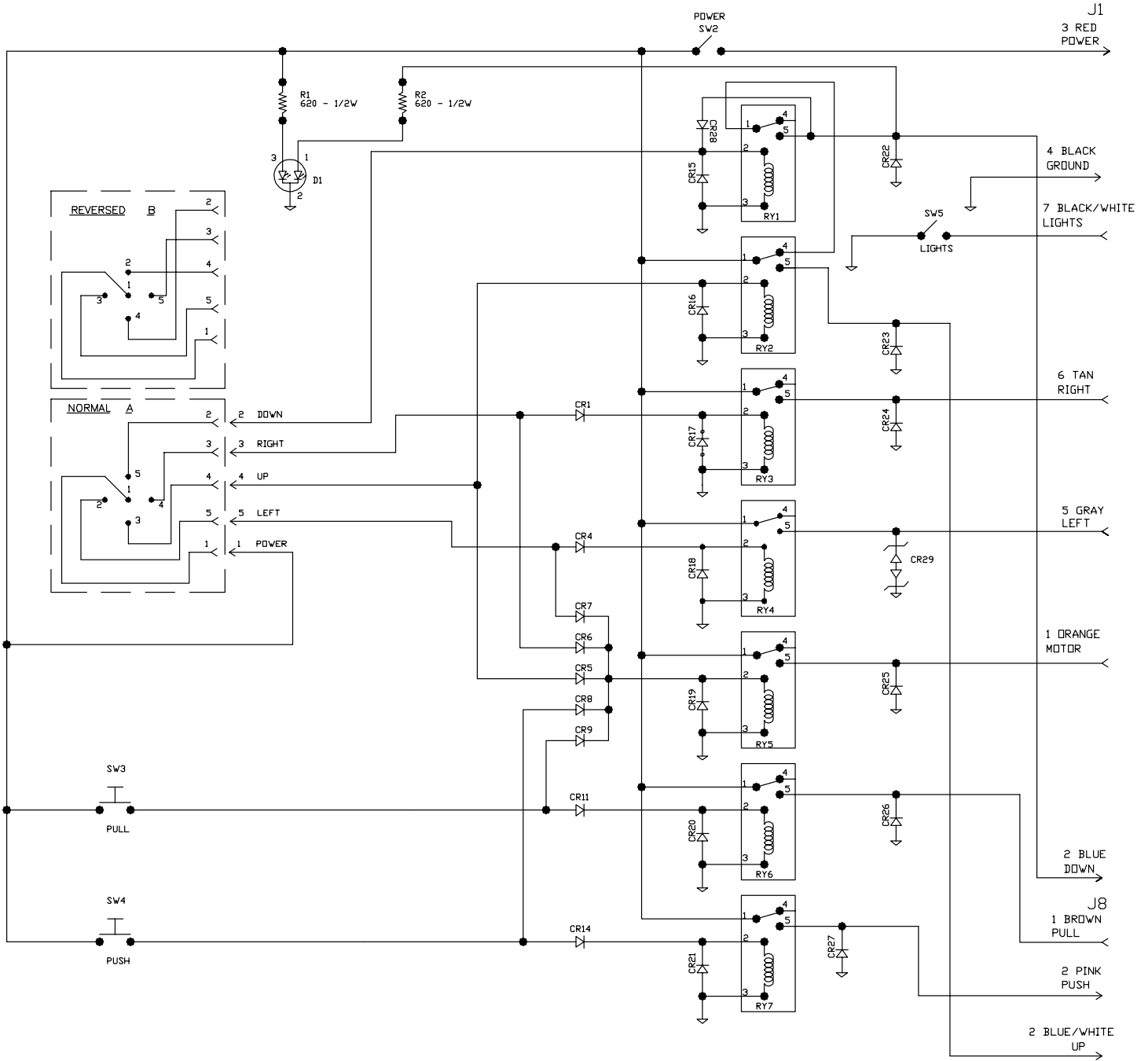
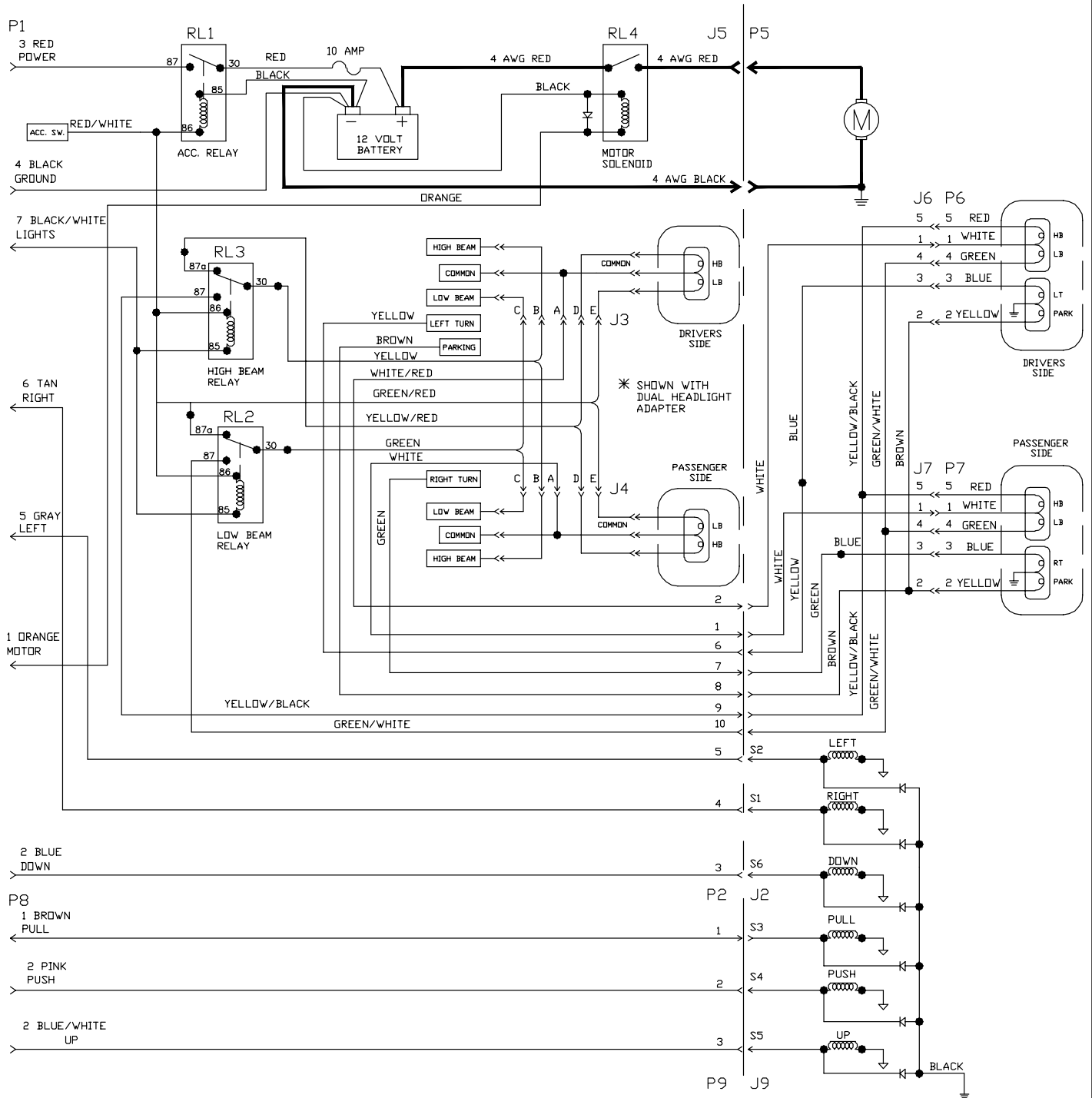


CAB CONTROL



UNDERHOOD HARNESS

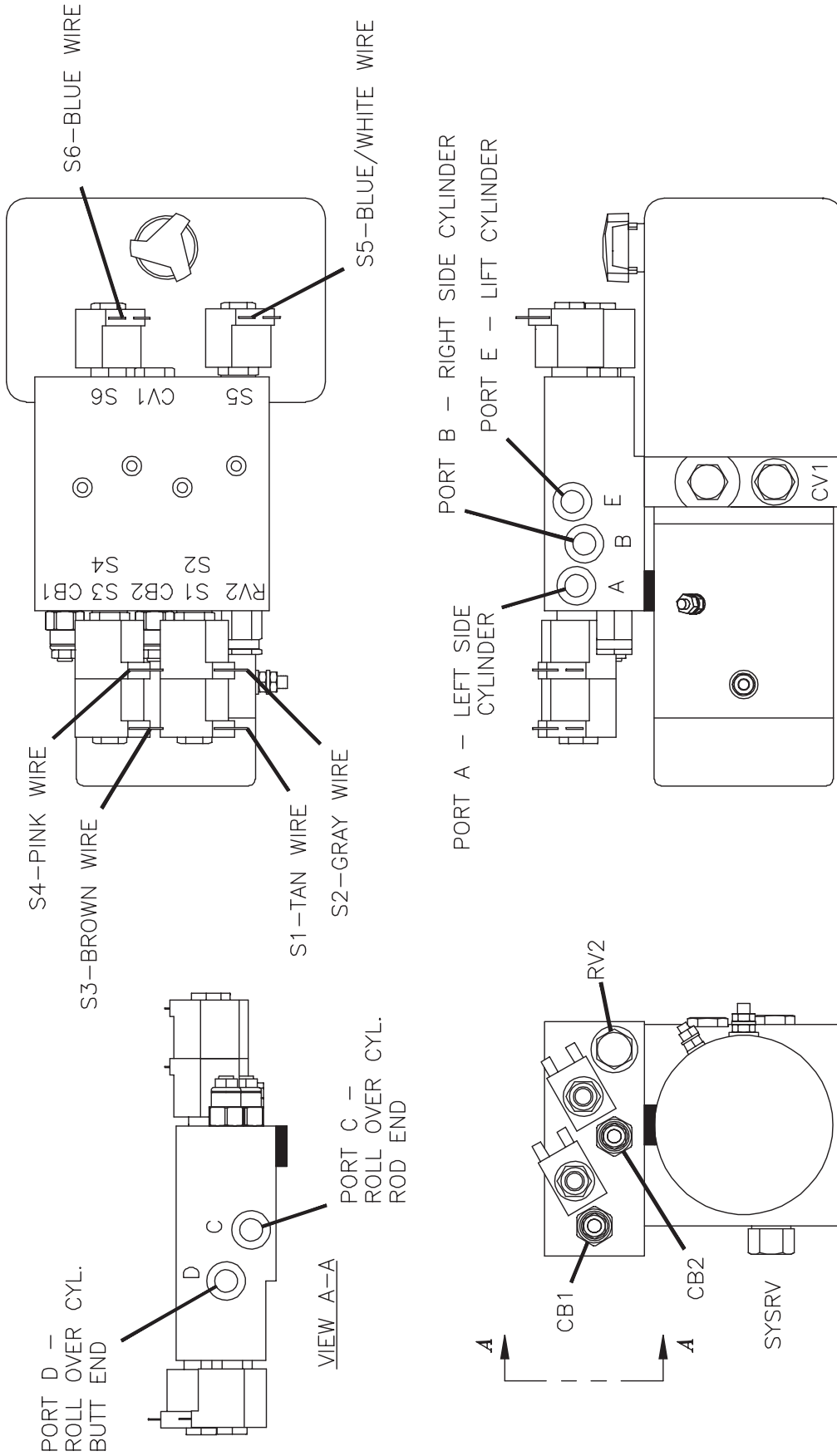
EXTERNAL HARNESS



DATE: 3-24-05
C-PLDW 2005

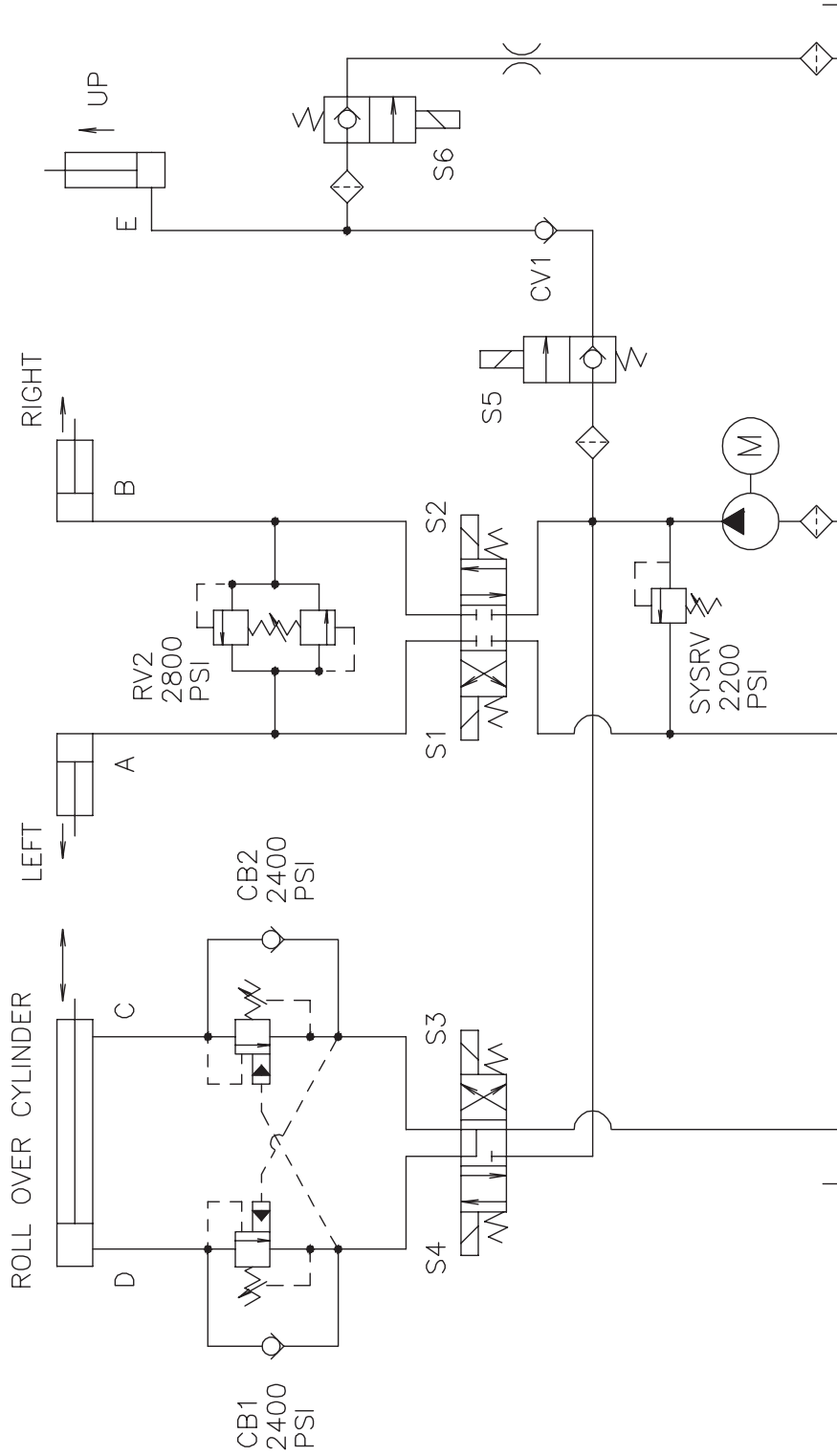
DWG NO. 5659

C-PLOW POWER UNIT



- SYSRV - RELIEF VALVE, SYSTEM, 2200 PSI
- RV2 - RELIEF VALVE, ANGLE CYLINDERS, 2800 PSI
- CB1 - VENTED COUNTER BALANCE VALVE, 2400 PSI
- CB2 - VENTED COUNTER BALANCE VALVE, 2400 PSI

POWER UNIT HYDRAULIC CIRCUIT DIAGRAM



- S1 - LEFT EXTEND, RIGHT RETRACT - TAN WIRE
- S2 - RIGHT EXTEND, LEFT RETRACT - GRAY WIRE
- S3 - CURL - BROWN WIRE
- S4 - UNCURL - PINK WIRE
- S5 - LIFT - BLUE/WHITE WIRE
- S6 - LOWER - BLUE WIRE