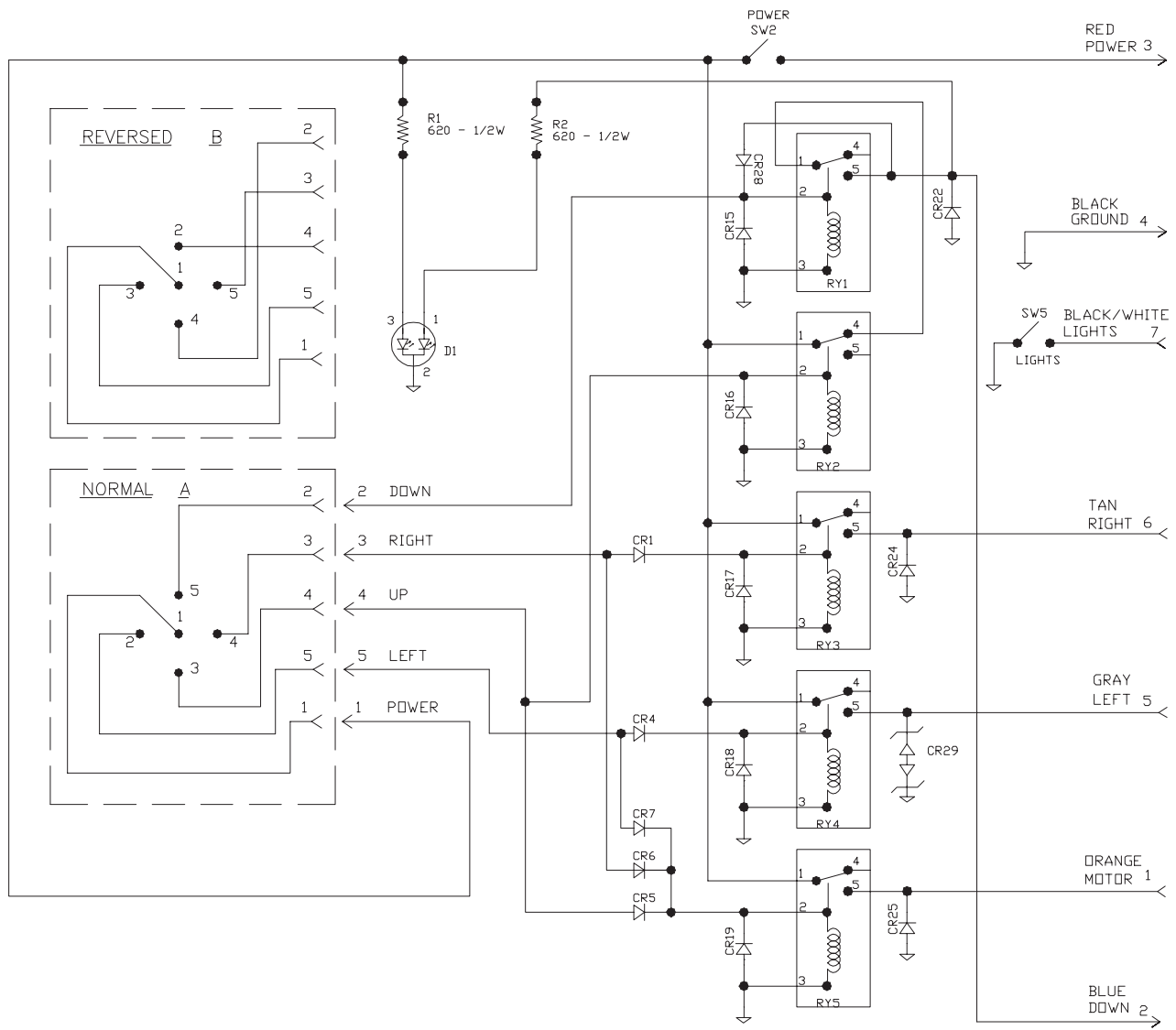


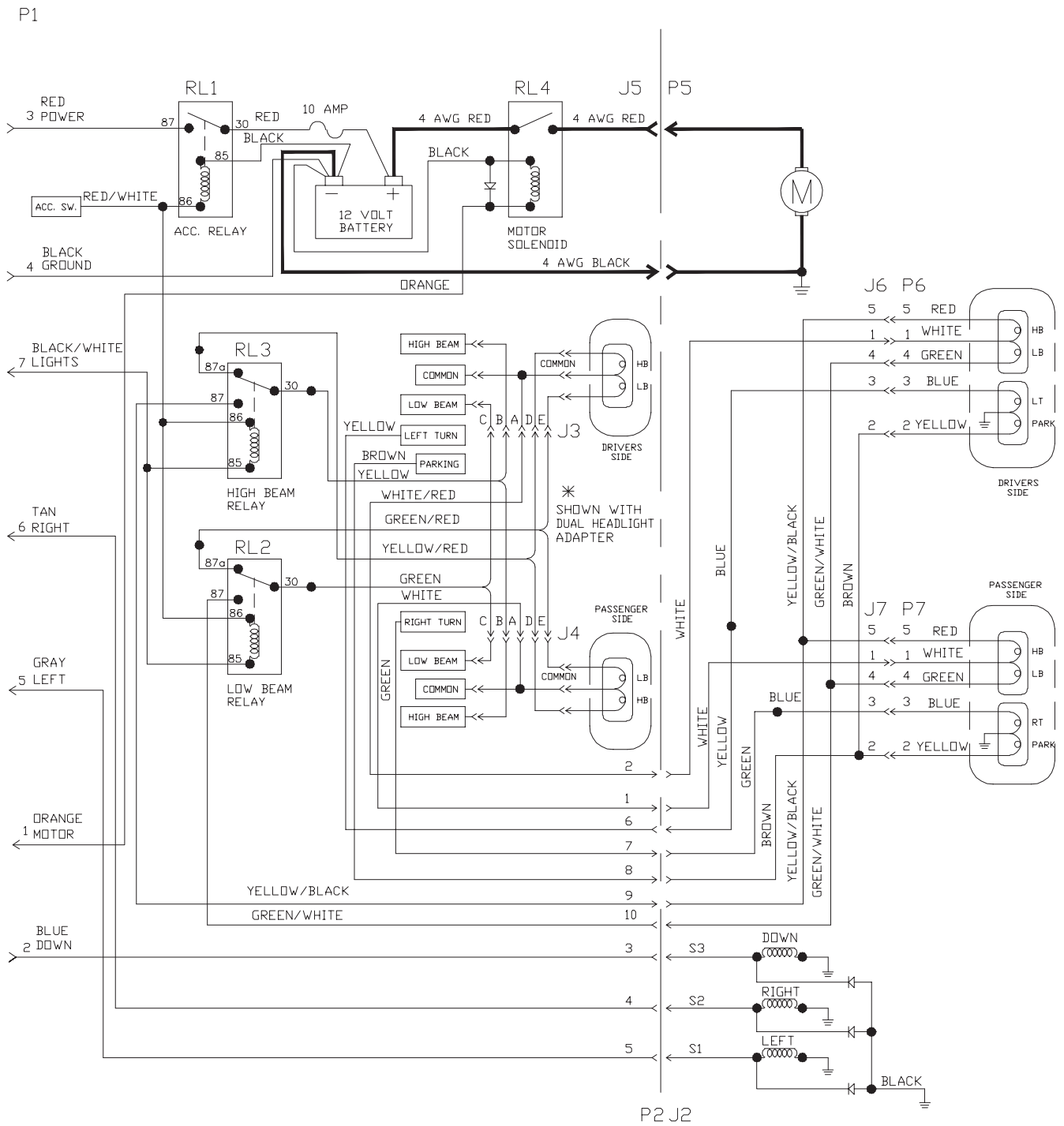
# CAB CONTROL

J1



# UNDERHOOD HARNESS

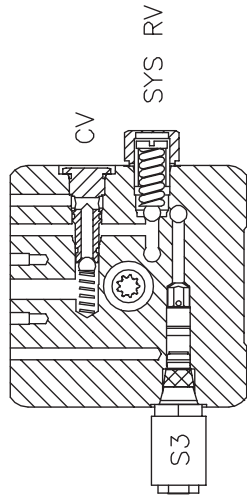
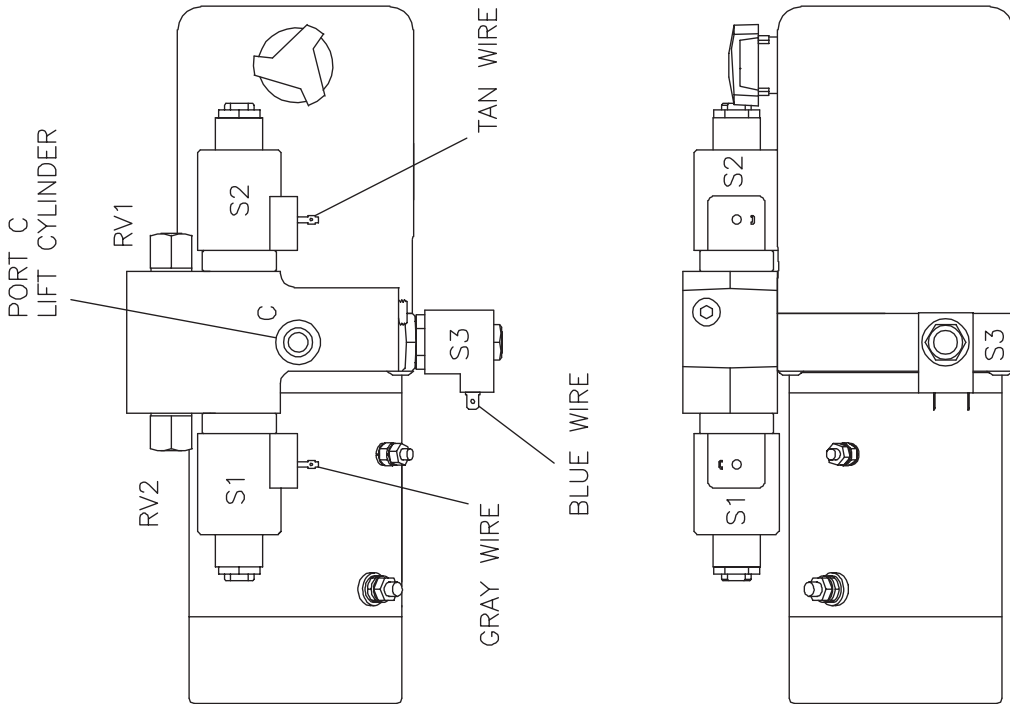
# EXTERNAL HARNESS



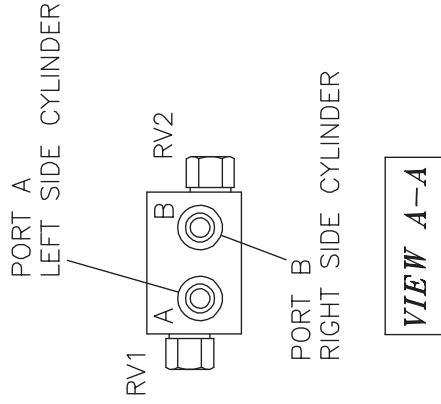
DATE: 3-24-05  
STR PLOW 2005

DWG NO. 5657

# STRAIGHT PLOW POWER UNIT

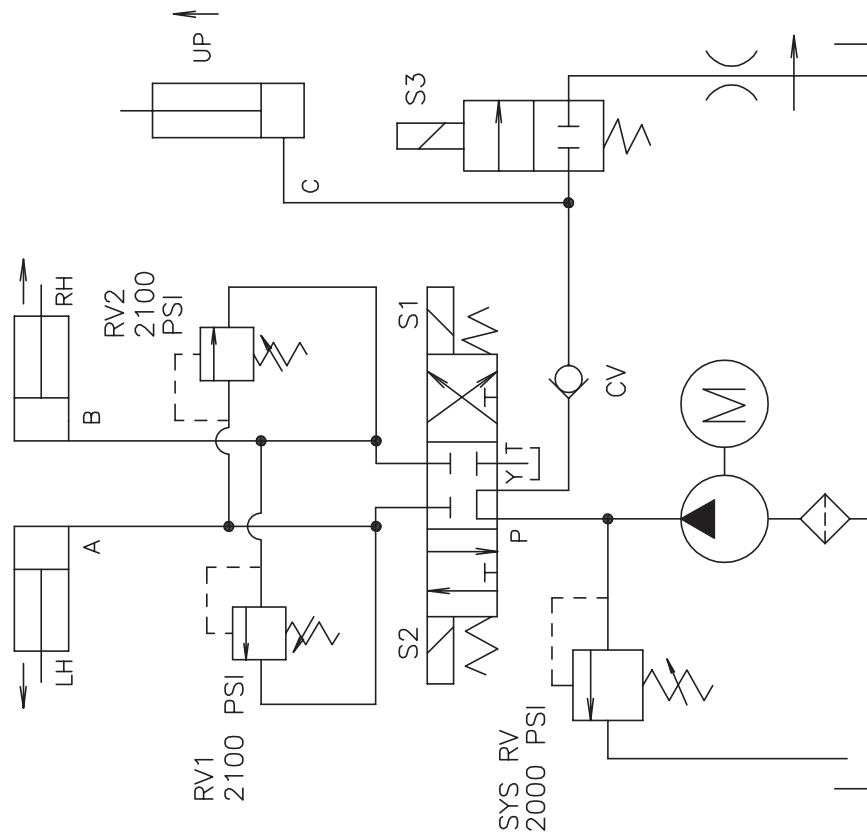


ENDHEAD SECTION



- RV1 - RELIEF VALVE, RIGHT SIDE CYLINDER, 2100 PSI
- RV2 - RELIEF VALVE, LEFT SIDE CYLINDER, 2100 PSI
- SYSRV - RELIEF VALVE, SYSTEM, 2000 PSI

POWER UNIT HYDRAULIC CIRCUIT DIAGRAM



- S1 - RIGHT EXTEND - GRAY WIRE
- S2 - LEFT EXTEND - TAN WIRE
- S3 - DOWN - BLUE WIRE