

# SECTION 10

# 10 FT POLY TRIP EDGE

# SNOW PLOW

**FOR SERIES 10321, 10322**

## **PLOW COMPONENTS**

- PAGE 2 MOLDBOARD ASSEMBLY**
- PAGE 3 FRAME ASSEMBLY**
- PAGE 4 LIFT FRAME ASSEMBLY**
- PAGE 5 POWER UNIT COVER ASSEMBLY**  
**CURB GUARD KIT**

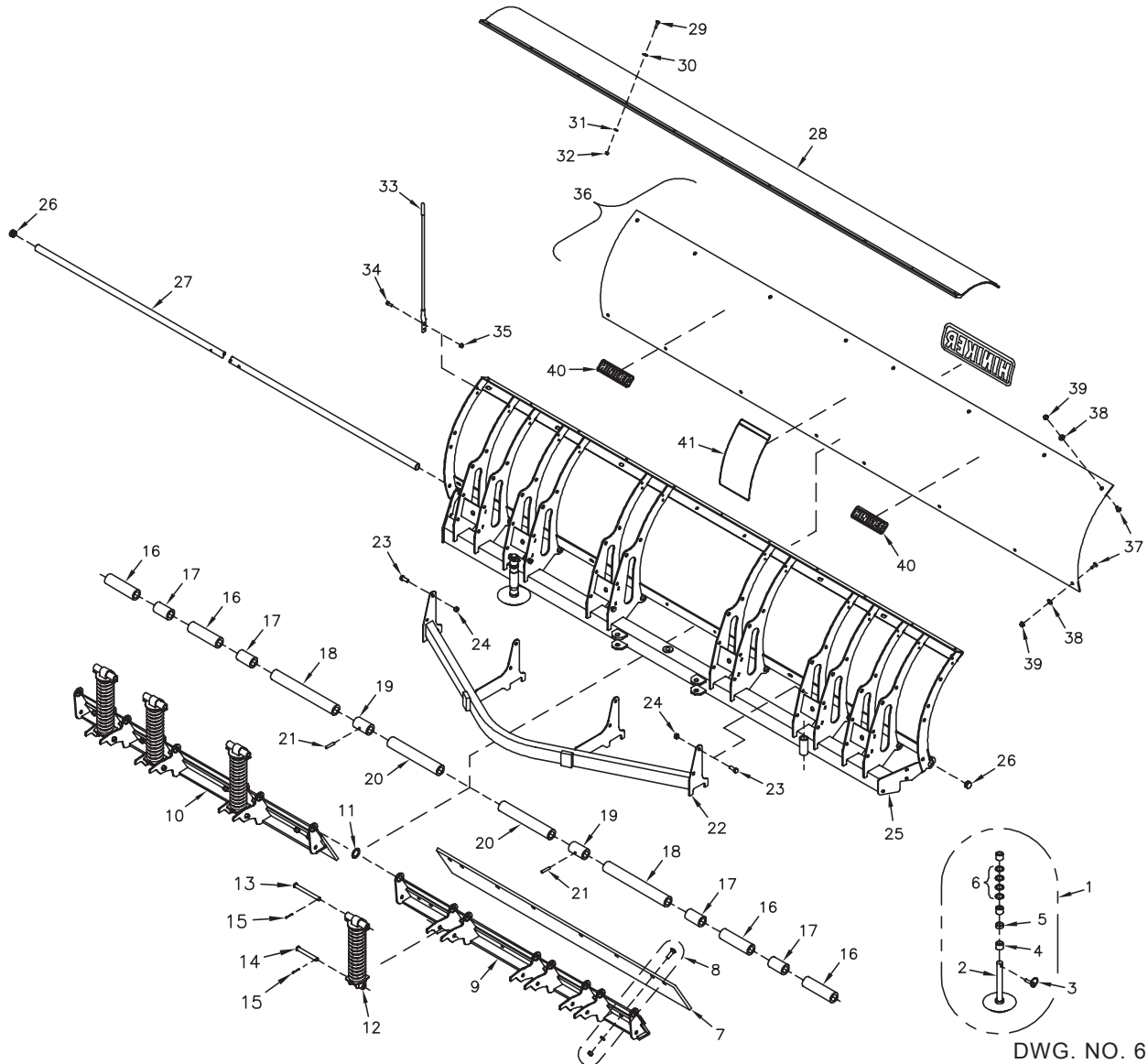
## **HYDRAULIC COMPONENTS**

- PAGE 6 HYDRAULIC OVERVIEW - MODEL 10321**  
**HYDRAULIC OVERVIEW - MODEL 10322**
- PAGE 7 CROSSOVER RELIEF VALVE - MODEL 10322**  
**HYDRAULIC CYLINDERS**
- PAGE 8 POWER UNIT - SPX MODEL DB-7929-3**
- PAGE 9 POWER UNIT - SPX MODEL DB-7017-1**

## **ELECTRICAL COMPONENTS**

- PAGE 10 PLOW WIRING HARNESS - MODEL 10321**  
**PLOW WIRING HARNESS - MODEL 10322**
- PAGE 11 UNDERHOOD WIRING HARNESS - MODEL 10321**  
**UNDERHOOD WIRING HARNESS - MODEL 10322**
- PAGE 12 POWER CABLES - MODEL 10321**  
**HEADLAMPS**
- PAGE 13 JOY STICK CONTROLLER - MODEL 10321**  
**HEADLIGHT SWITCH ASSEMBLY - MODEL 10322**
- PAGE 14 GRILL MOUNT PLATE**

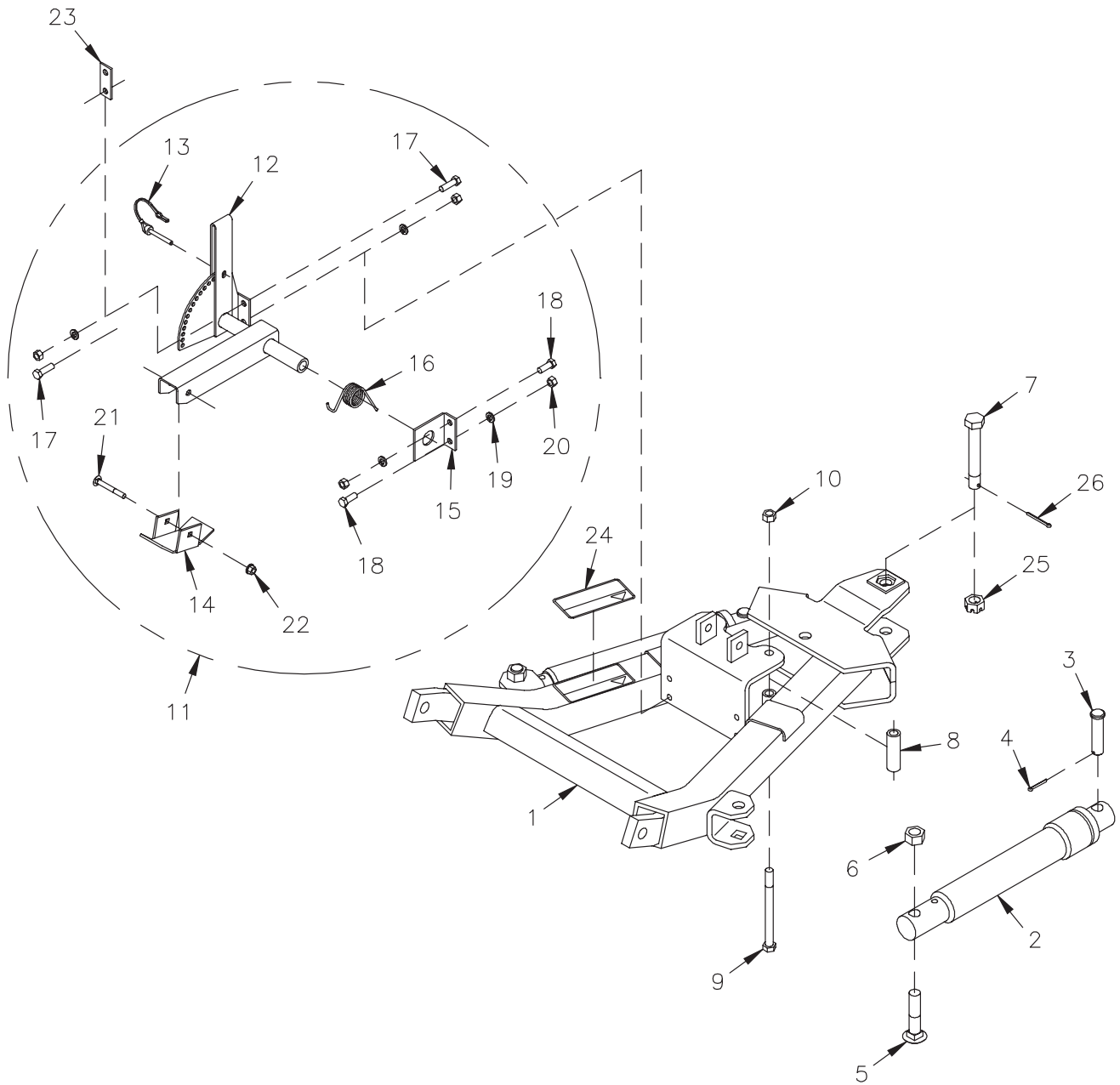
MOLDBOARD ASSEMBLY



DWG. NO. 6133

REF. NO.	PART NUMBER	DESCRIPTION	QTY.	REF. NO.	PART NUMBER	DESCRIPTION	QTY.
1	25011487	Cast Iron Skid Assembly	2	22	25011613	Quadrant Weldment	1
2	25011478	Cast Iron Skid Shoe	2	23	950-001-231	Hex Head Cap Screw 1/2-13 x 1 Gr. 5	8
3	25010319	Klik Pin	2	24	10304	Lock Nut 1/2-13, 2-Way	8
4	25010049	1" Skid Spacer	6	25	25012471	Moldboard Frame Weldment	1
5	25010048	1/2" Skid Spacer	2	26	25012375	End Cap	2
6	952-004-071	Machinery Bushing	8	27	25012469	Trip Pin, 10' Plow	1
7	25012468	60" Cutting Edge For 10' Plow	2	28	25012478	10' Snow Deflector Extrusion	1
8	25012485	Cutting Edge Bolt Kit	1	29	950-001-200	Hex Head Cap Screw 5/16-18 x 1 1/4 Gr. 5	11
9	25012463	RH Trip Edge Weldment	1	30	952-002-002	Flat Washer 5/16 Inch	11
10	25012464	LH Trip Edge Weldment	1	31	952-001-002	Lock Washer 5/16 Inch	11
11	952-004-058	Machinery Bushing	1	32	951-001-004	Hex Nut 5/16-18	11
12	25011373	Spring Assembly	6	33	25010118	Blade Guide	2
13	953-002-045	Clevis Pin 5/8 x 6	6	34	950-001-110	Hex Head Cap Screw 5/16-18 x 1 Gr. 5	4
14	953-002-044	Clevis Pin 5/8 x 4 3/8	6	35	951-005-036	Lock Nut 5/16-18 Mac Lock	4
15	035-42033	Cotter Pin 5/32 x 1 1/4	12	36	25012484	Moldboard Blank/Logo Decal Assembly	1
16	25011340	Bushing, 7" Long	4	37	700-11704	Machine Screw 3/8-16 x 1 Slotted Truss Head	16
17	25011338	Bushing, 3 3/8" Long	4	38	952-002-013	Flat Washer 3/8 Inch, Stainless Steel	16
18	25011643	Bushing, 15 7/16" Long	2	39	951-005-003	Lock Nut 3/8-16 Mac Lock	16
19	25011341	Bushing, 3 3/8" Long, Steel	2	40	25011684	Decal - Hiniker	2
20	25011644	Bushing, 12 13/32" Long	2	41	25012270	Decal - Removal	1
21	30009024	Slotted Spring Pin 3/8 x 2	2				

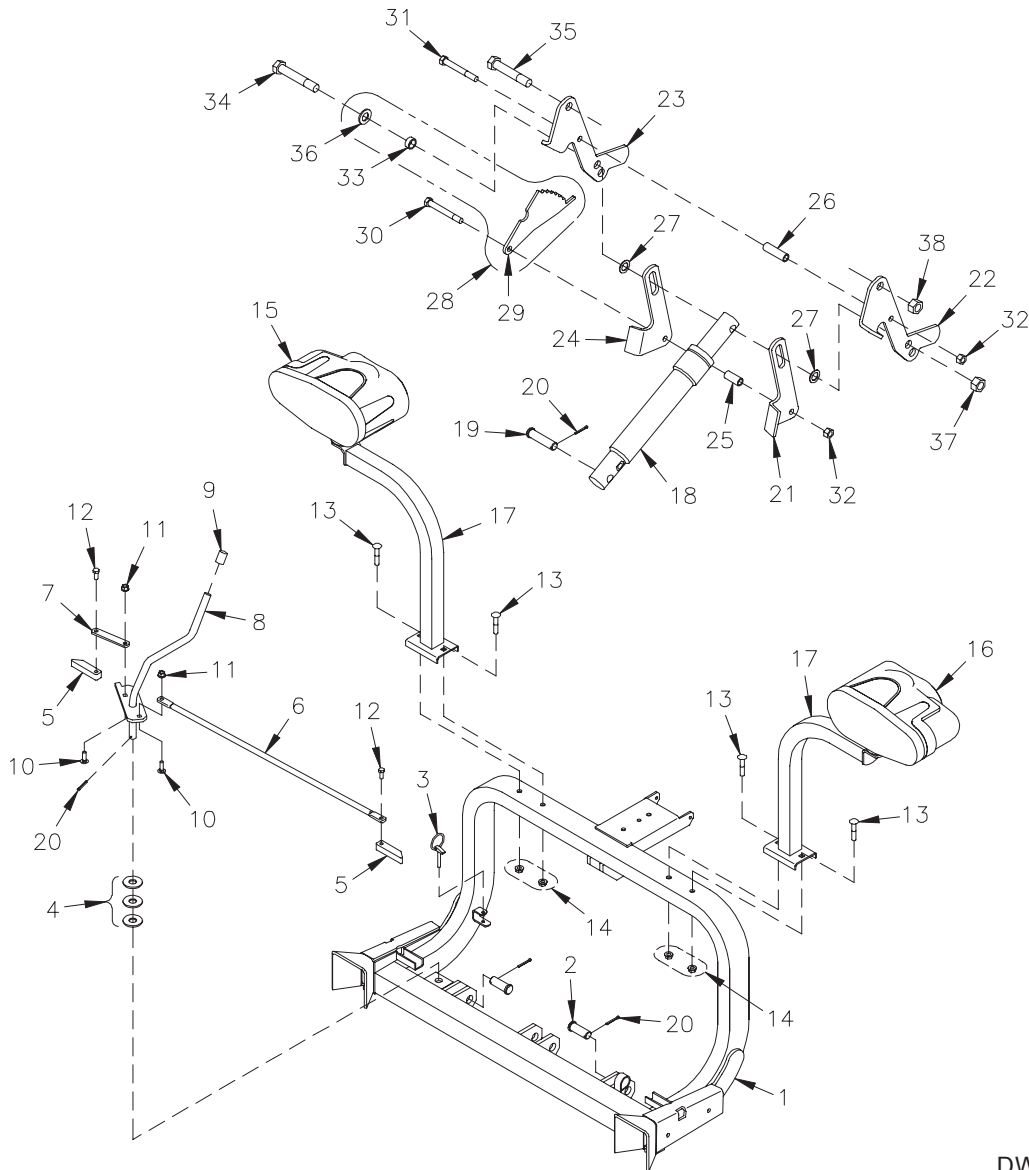
PUSH FRAME ASSEMBLY



DWG. NO.6134A

REF. NO.	PART NUMBER	DESCRIPTION	QTY.	REF. NO.	PART NUMBER	DESCRIPTION	QTY.
1	25012483	Push Frame/Decal Assembly	1	14	25010801	Stand Foot	1
2	25011020	1 3/4 x 10 Cylinder (See Sec. 10, Pg. 7)	2	15	25010798	Bracket	1
3	953-002-032	Clevis Pin 3/4 x 3	2	16	25010795	Helical Torsion Spring	1
4	035-42033	Cotter Pin 5/32 x 1 1/4	2	17	950-001-106	Hex Head Cap Screw 3/8-16 x 1 1/4 Gr. 5	2
5	030-16198	Carriage Bolt 3/4-10 x 3 1/2 Gr. 5	2	18	950-001-105	Hex Head Cap Screw 3/8-16 x 1 Gr. 5	2
6	951-005-037	Lock Nut 3/4-10, 2-Way	2	19	952-001-007	Lock Washer 3/8 Inch	4
7	25012614	Hex Head Cap Screw 3/4-10 x 5 Gr. 5	1	20	951-001-005	Hex Nut 3/8-16	4
8	25011477	Bushing 2 13/16" Long	2	21	950-003-074	Carriage Bolt 5/16-18 x 2 1/2 Gr. 5	1
9	031-06219	Hex Head Cap Screw 1/2-13 x 6 Gr. 5	2	22	951-005-036	Lock Nut 5/16-18 Mac Lock	1
10	10304	Lock Nut 1/2-13, 2-Way	2	23	25011486	Parking Stand Spacer	1
11	25011050	Park Stand Kit	1	24	25010697	Caution Decal	1
12	25010800	Lever Weldment	1	25	034-00136	Slotted Nut 3/4-10	1
13	25010797	Tab Lock Pin	1	26	953-001-008	Cotter Pin 3/16 x 1 3/4	1

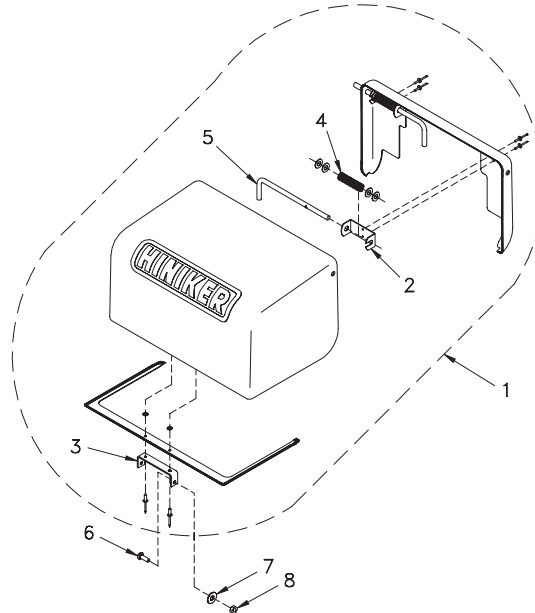
LIFT FRAME ASSEMBLY



DWG. NO. 6135

REF. NO.	PART NUMBER	DESCRIPTION	QTY.	REF. NO.	PART NUMBER	DESCRIPTION	QTY.
1	25012583	Frame Weldment	1	20	035-42033	Cotter Pin 5/32 x 1 1/4	4
2	953-002-031	Clevis Pin 3/4 x 2	2	21	25012396	RH Lower Link	1
3	703-00209	Klik Pin	1	22	25012394	RH Upper Link	1
4	952-002-007	Flat Washer 5/8 Inch	3	23	25012393	LH Upper Link	1
5	25010276	Slider	2	24	25012395	LH Lower Link	1
6	25010274	Long Tie Rod	1	25	25010114	Lower Link Spacer	1
7	25010275	Short Tie Rod	1	26	25010211	Upper Link Spacer	1
8	25010410	Handle Weldment	1	27	952-004-003	Machinery Bushing 25/32 x 1 1/4 x .075	2
9	25011230	Vinyl Cap	1	28	25011986	Stop Plate Kit (Includes Lock Nut #37)	1
10	030-16042	Carriage Bolt 5/16-18 x 1 Gr. 5	2	29	25011984	Stop Plate	1
11	951-005-036	Lock Nut 5/16-18 Mac Lock	2	30	950-001-309	Hex Head Cap Screw 1/2-13 x 4 Gr. 5, 7/8 Thd Length	1
12	950-011-042	Hex Head Cap Screw 5/16-18 x 3/4 Nylon Dri-Lock	2	31	950-001-124	Hex Head Cap Screw 1/2-13 x 4 Gr. 5	1
13	950-003-070	Carriage Bolt 3/8-16 x 2 Gr. 5	4	32	10304	Lock Nut 1/2-13, 2-Way	2
14	951-005-003	Lock Nut 3/8-16 Mac Lock	4	33	25011885	Bushing	1
15	25012793	LH Headlight Assembly (See Sec. 10, P. 12)	1	34	950-001-311	Hex Head Cap Screw 3/4-10 x 4 1/2 Gr. 5, 1 1/4 Thd Lgth	1
16	25012792	RH Headlight Assembly (See Sec. 10, P. 12)	1	35	950-001-310	Hex Head Cap Screw 3/4-10 x 4 1/4 Gr. 5, 1 1/4 Thd Lgth	1
17	25011334	Light Bracket Weldment	2	36	033-12013	SAE Flat Washer 3/4 Inch	1
18	25011402	1 3/4 x 9 Cylinder (See Sec. 10, P. 7)	1	37	951-005-037	Lock Nut 3/4-10, 2-Way	1
19	953-002-032	Clevis Pin 3/4 x 3	1	38	951-003-010	Lock Nut 3/4-10, Nylon Insert	1

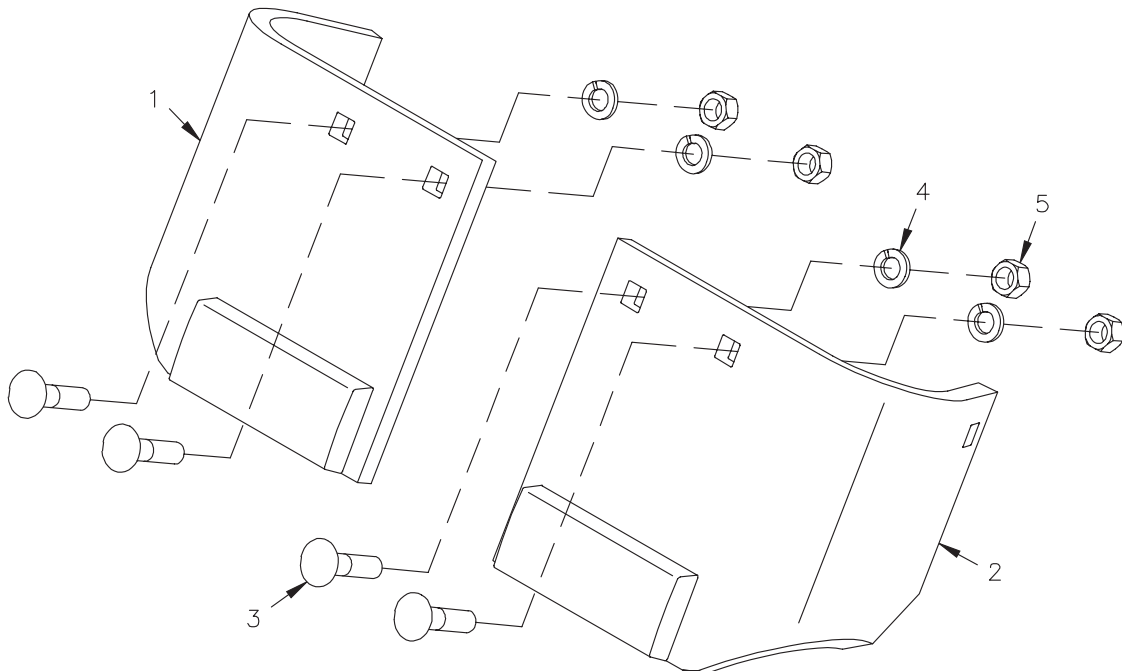
**POWER UNIT COVER ASSEMBLY**



DWG. NO. 5559

REF. NO.	PART NUMBER	DESCRIPTION	QTY.	REF. NO.	PART NUMBER	DESCRIPTION	QTY.
1	25011070	Cover Assembly (Includes Items 2-5)	1	5	25011071	Rod	2
2	25011073	Clevis	2	6	031-10657	Machine Screw 1/4-20 x 3/4 Slotted Round Head	2
3	25011072	Clevis	1	7	952-002-011	Flat Washer 1/4	2
4	25010717	Compression Spring	2	8	060954	Lock Nut 1/4-20 Nylon Insert	2

**CURB GUARD KIT**

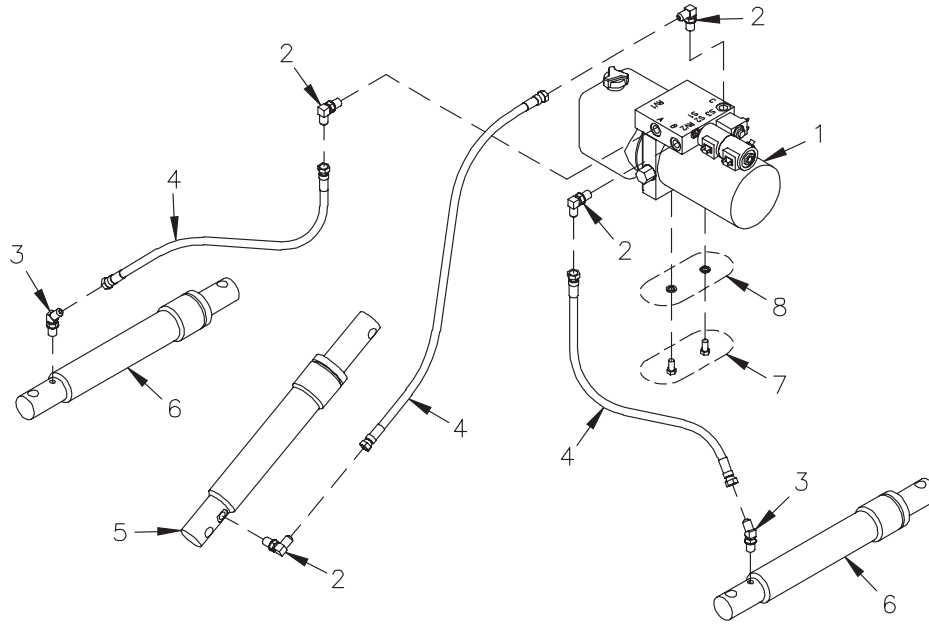


25012488 Curb Guard Kit

DWG. NO. 6136

REF. NO.	PART NUMBER	DESCRIPTION	QTY.	REF. NO.	PART NUMBER	DESCRIPTION	QTY.
1	25012724	RH Curb Guard	1	4	952-001-004	Lock Washer 1/2 Inch	4
2	25012725	LH Curb Guard	1	5	951-001-007	Hex Nut 1/2-13	4
3	950-003-025	Carriage Bolt 1/2-13 x 2 Gr. 5	4				

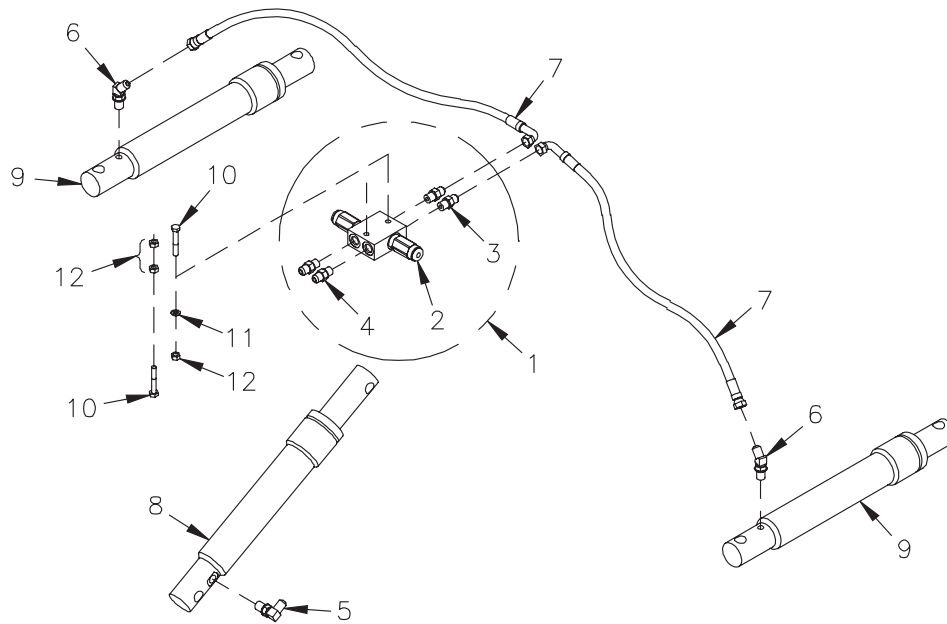
**HYDRAULIC OVERVIEW MODEL 10321**



DWG. NO. 6137

REF. NO.	PART NUMBER	DESCRIPTION	QTY.	REF. NO.	PART NUMBER	DESCRIPTION	QTY.
1	25012650	Power Unit (See Sec. 10, P. 8)	1	5	25011402	Hydraulic Cylinder 1 3/4 x 9 (See Sec. 10, P. 7)	1
2	956-005-022	90° Adapter 9/16 ORB x 9/16 JIC	4	6	25011020	Hydraulic Cylinder 1 3/4 x 10 (See Sec. 10, P. 7)	2
3	956-005-023	45° Adapter 9/16 ORB x 9/16 JIC	2	7	950-001-089	Hex Head Cap Screw 3/8-16 x 3/4 Gr. 5	2
4	957-010-005	Hydraulic Hose Assembly 1/4 x 32	3	8	952-001-007	Lock Washer 3/8 Inch	2

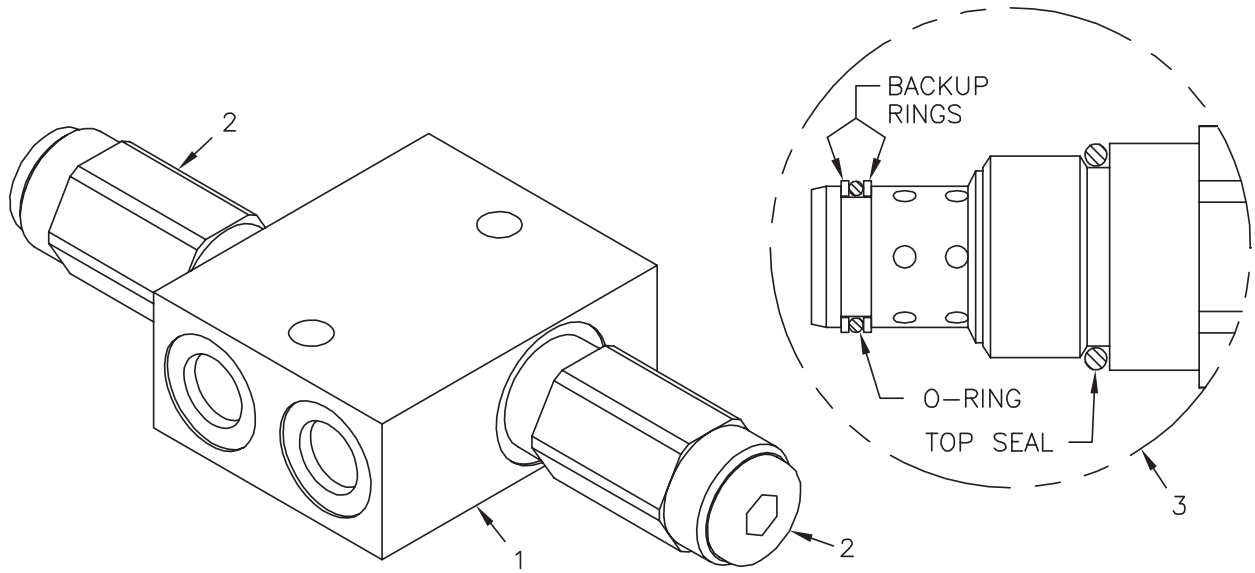
**HYDRAULIC OVERVIEW MODEL 10322**



DWG. NO. 6138

REF. NO.	PART NUMBER	DESCRIPTION	QTY.	REF. NO.	PART NUMBER	DESCRIPTION	QTY.
1	25012548	Crossover Relief Valve Assembly	1	7	957-021-002	Hydraulic Hose Assembly 1/4 x 33" Long	2
2	25012549	Crossover Relief Valve (See Sec. 10, P. 7)	1	8	25011402	Hydraulic Cylinder 1 3/4 x 9 (See Sec. 10, P. 7)	1
3	206-01024	Straight Adapter 9/16 ORB x 9/16 JIC	2	9	25011020	Hydraulic Cylinder 1 3/4 x 10 (See Sec. 10, P. 7)	2
4	956-008-038	Restricted Straight Adapter 9/16 ORB x 9/16 JIC	2	10	031-06059	Hex Head Cap Screw 5/16-18 x 2 Gr. 5	2
5	956-005-025	Restricted 90° Adapter 9/16 ORB x 9/16 JIC	1	11	952-001-002	Lock Washer 5/16 Inch	1
6	956-005-023	45° Adapter 9/16 ORB x 9/16 JIC	2	12	951-001-004	Hex Nut 5/16-18	3

**CROSSOVER RELIEF VALVE  
MODEL 10322**

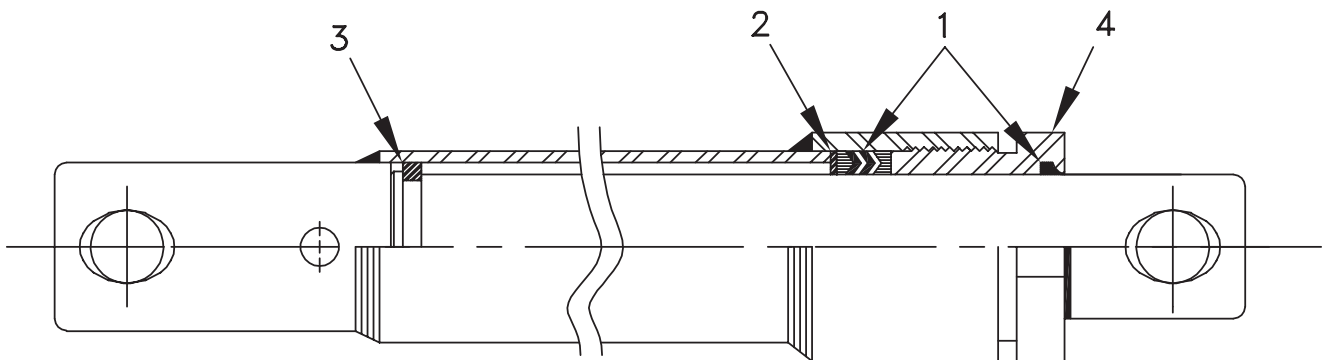


25012549 Crossover Relief Valve

DWG. NO. 6140

REF. NO.	PART NUMBER	DESCRIPTION	QTY.	REF. NO.	PART NUMBER	DESCRIPTION	QTY.
1	25012546	Manifold Block	1	3	25012544	Seal Kit	2
2	25012550	Cartridge Relief Valve - 1600 PSI	2				

**HYDRAULIC CYLINDERS**

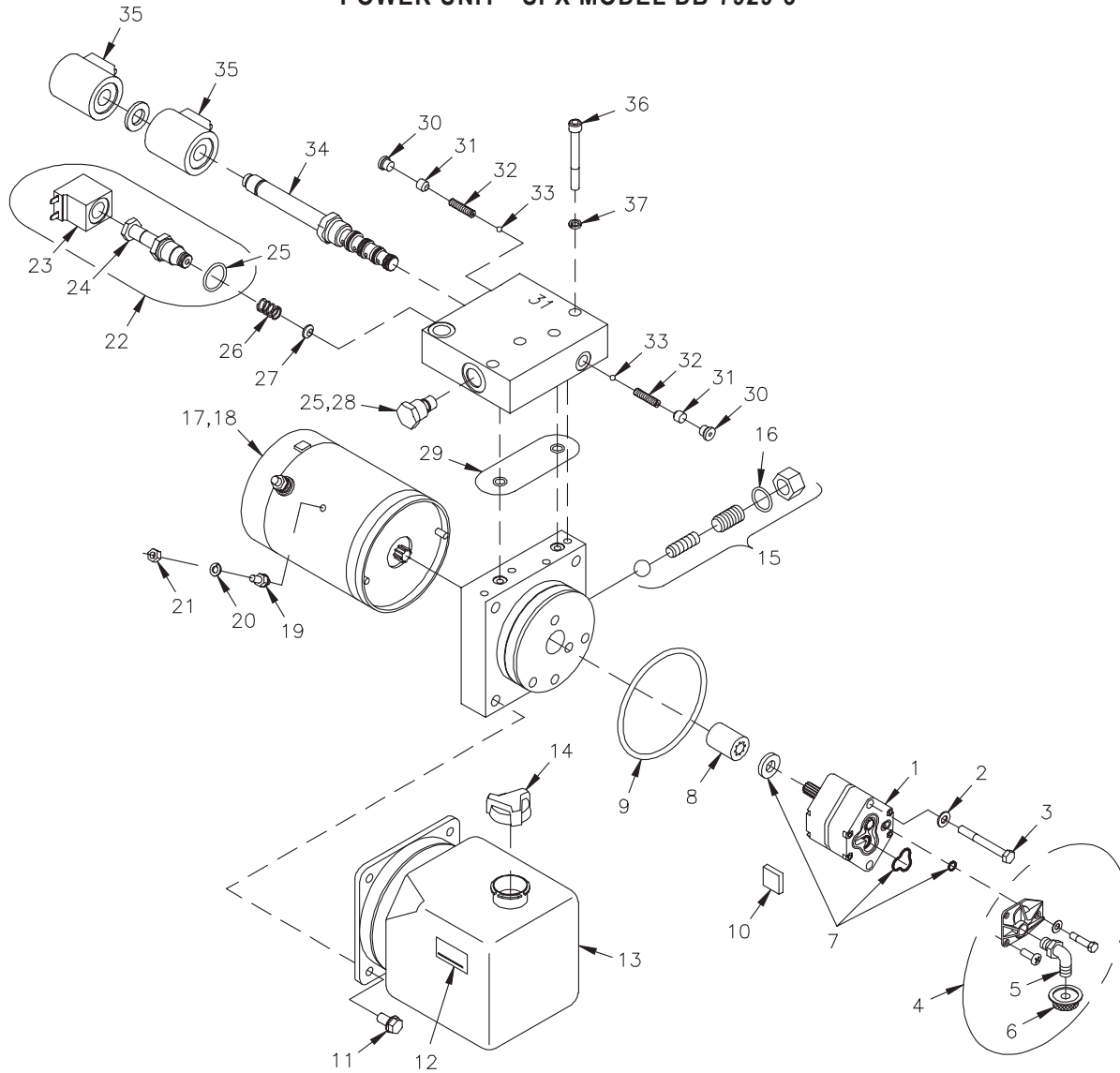


25011402 1 3/4 x 9 Cylinder  
25011020 1 3/4 x 10 Cylinder

DWG. NO. 6141

REF. NO.	PART NUMBER	DESCRIPTION	QTY.	REF. NO.	PART NUMBER	DESCRIPTION	QTY.
1	25010711	Seal Kit - 1 3/4" Rod	1	3	25010707	Guide Ring - 1 3/4" Rod	1
2	25010706	Seat Ring - 1 3/4" Rod	1	4	25010708	Packing Nut - 1 3/4" Rod	1

POWER UNIT - SPX MODEL DB-7929-3

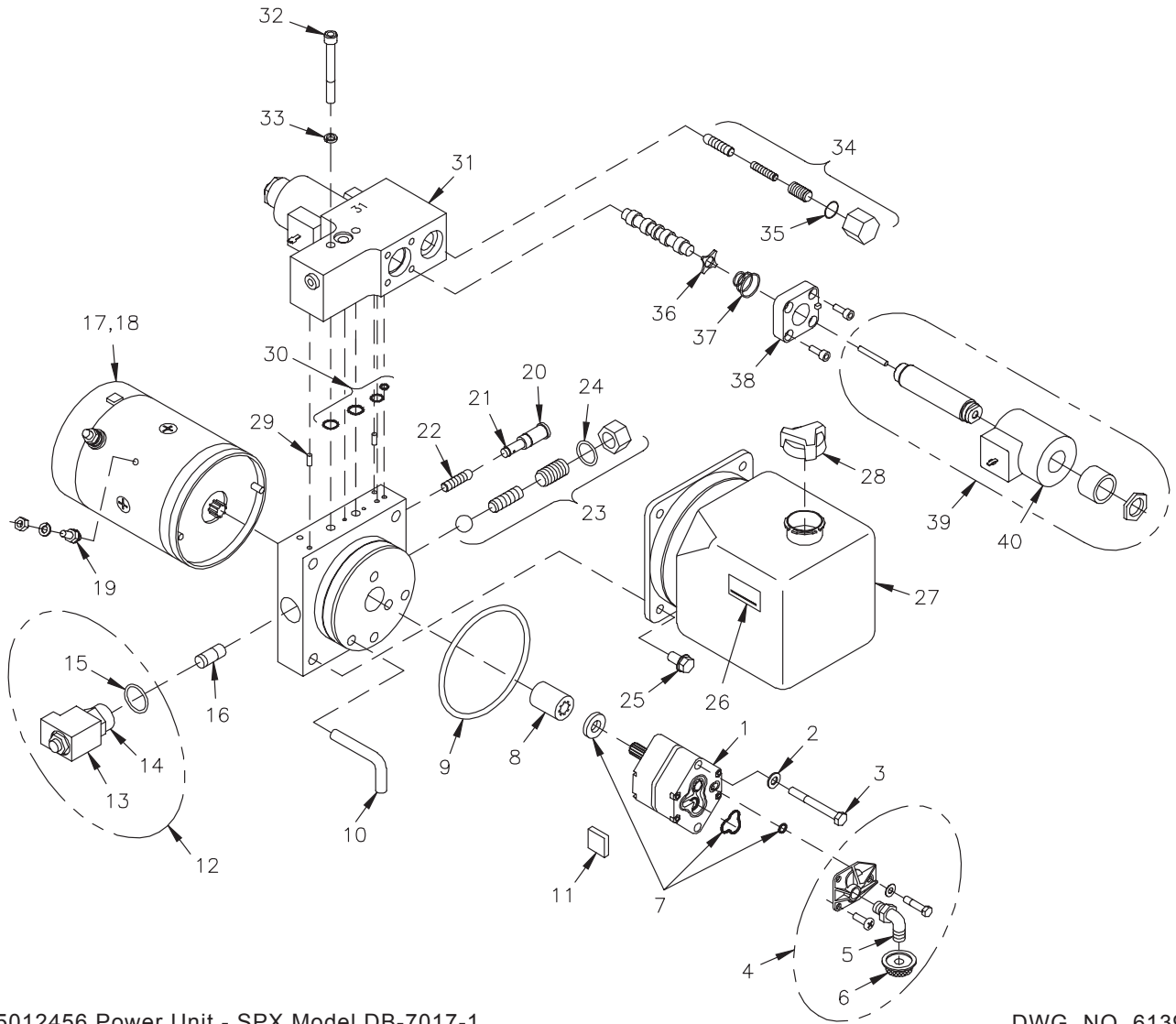


25012650 Power Unit SPX Model DB-7929-3

DWG. NO. 6528

REF. NO.	PART NUMBER	DESCRIPTION	QTY.	REF. NO.	PART NUMBER	DESCRIPTION	QTY.
1	25010734	Pump Assembly	1	20	952-001-001	Lock Washer 1/4 Inch	1
2	033-12007	SAE Flat Washer 5/16 Inch	2	21	951-001-003	Hex Nut 1/4-20	1
3	950-001-327	Hex Head Cap Screw 5/16-24 x 3 Gr. 8	2	22	25011654	Release Valve Kit, Double Spade Coil	1
4	25010332	Inlet Plumbing Kit	1	23	25011667	Solenoid Coil 10V DC	1
5	25010244	Plumbing Elbow	1	24	25010544	Cartridge Release Valve	1
6	25010221	Filter	1	25	25010992	O-Ring Kit	1
7	25010334	Pump O-Ring Kit	1	26	25012674	Spring	1
8	25010214	Coupling	1	27	25012677	Return Orifice	1
9	25010236	O-Ring	1	28	25010746	Check Valve	1
10	25010220	Plumbing Magnet	1	29	25010762	Manifold O-Ring Kit	1
11	950-004-071	Machine Screw #12-24 x 1/2 - Hex Washer Head	4	30	25012686	ORB Plug	2
12	25010436	Decal - Fill Line	1	31	25012685	Set Screw 3/8-24 x .38 Selflock	2
13	25010240	Plastic Tank	1	32	25012684	Spring	2
14	25010217	Plastic Breather	1	33	25012683	Ball .25 Dia. Steel	2
15	25010330	Adjustable Relief Valve Kit	1	34	25012688	Directional Valve	1
16	25010518	Adjustable Relief Valve O-Ring	1	35	25012687	Solenoid Coil 10V DC	2
17	25010230	Motor 12V DC	1	36	950-004-115	Socket Head Cap Screw W/Thread Lock 1/4-20 x 1 3/4	4
18	25010337	Motor Brush Kit	1	37	952-004-080	Lock Washer 1/4 x .363 O.D.	4
19	25012673	Ground Stud	1				

POWER UNIT - SPX MODEL DB-7017-1

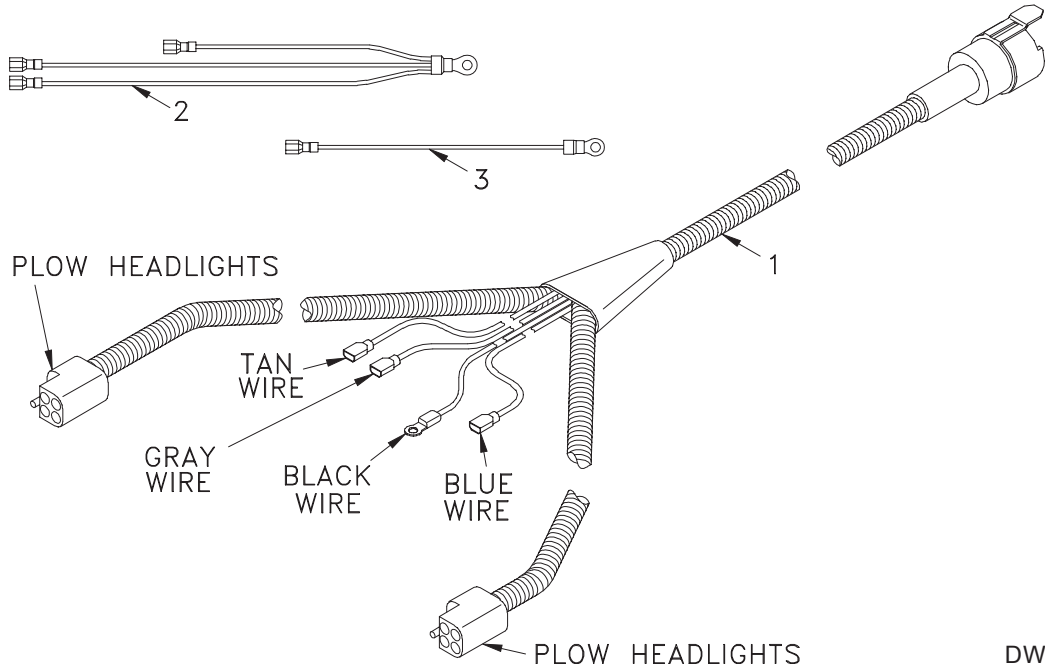


25012456 Power Unit - SPX Model DB-7017-1

DWG. NO. 6139A

REF. NO.	PART NUMBER	DESCRIPTION	QTY.	REF. NO.	PART NUMBER	DESCRIPTION	QTY.
1	25010734	Pump Assembly	1	20	25010228	Check Valve Assembly	1
2	033-12007	SAE Flat Washer 5/16 Inch	2	21	25010477	Check Valve O-Ring Kit	1
3	950-001-327	Hex Head Cap Screw 5/16-24 x 3 Gr. 8	2	22	25010241	Spring & Ball Assembly	1
4	25010332	Inlet Plumbing Kit	1	23	25010330	Adjustable Relief Valve Kit	1
5	25010244	Plumbing Elbow	1	24	25010518	Adjustable Relief Valve O-Ring	1
6	25010221	Filter	1	25	950-004-071	Machine Screw #12-24 x 1/2 - Hex Washer Head	4
7	25010334	Pump O-Ring Kit	1	26	25010436	Decal - Fill Line	1
8	25010214	Coupling	1	27	25010240	Plastic Tank	1
9	25010236	O-Ring	1	28	25010217	Plastic Breather	1
10	25010549	Return Tube	1	29	25010235	Pin 1/8 x 1/4	3
11	25010220	Plumbing Magnet	1	30	25010335	Directional Valve O-Ring Kit	1
12	25011654	Release Valve Kit, Double Spade Coil	1	31	25010533	U-Valve Assembly	1
	25011920	Release Valve Kit, Double Spade W/ Ground Wire	1	32	950-004-114	Socket Head Cap Screw W/Thread Lock 1/4-20 x 2 1/8	2
13	25011667	Solenoid Coil, Double Spade	1	33	952-004-080	Lock Washer 1/4 x .363 O.D.	4
	25011917	Solenoid Coil, Double Spade W/Ground Wire	1	34	25010336	Crossover Relief Valve Kit	2
14	25010544	Cartridge Release Valve	1	35	25010519	Crossover Relief Valve O-Ring	2
15	25010992	O-Ring Kit	1	36	25012636	Shim	2
16	25010542	Flow Control Valve	1	37	25012637	Spring	2
17	25010230	Motor 12V DC	1	38	25012639	Mount Block With O-Ring	2
18	25010337	Motor Brush Kit	1	39	25010333	Directional Valve Coil Kit	2
19	25012673	Ground Stud	1	40	25010541	Coil	2

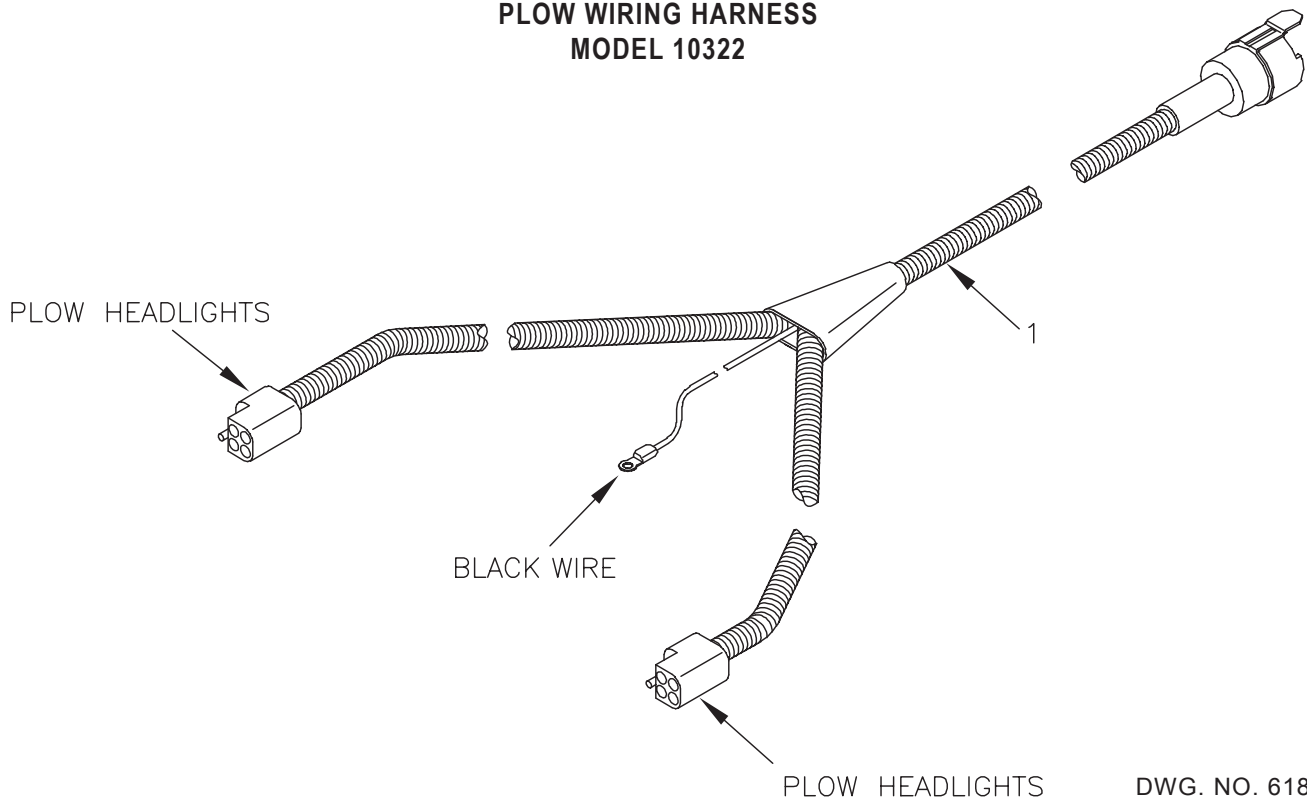
**PLOW WIRING HARNESS**



DWG. NO. 6558

REF. NO.	PART NUMBER	DESCRIPTION	QTY.	REF. NO.	PART NUMBER	DESCRIPTION	QTY.
1	38813036	External Cable Assembly - Snow Plow	1	3	38813069	Ground Wire (Use On Power Unit DB-7017-1)	1
2	38813094	Ground Wire (Use On Power Unit DB-7929-3)	1				

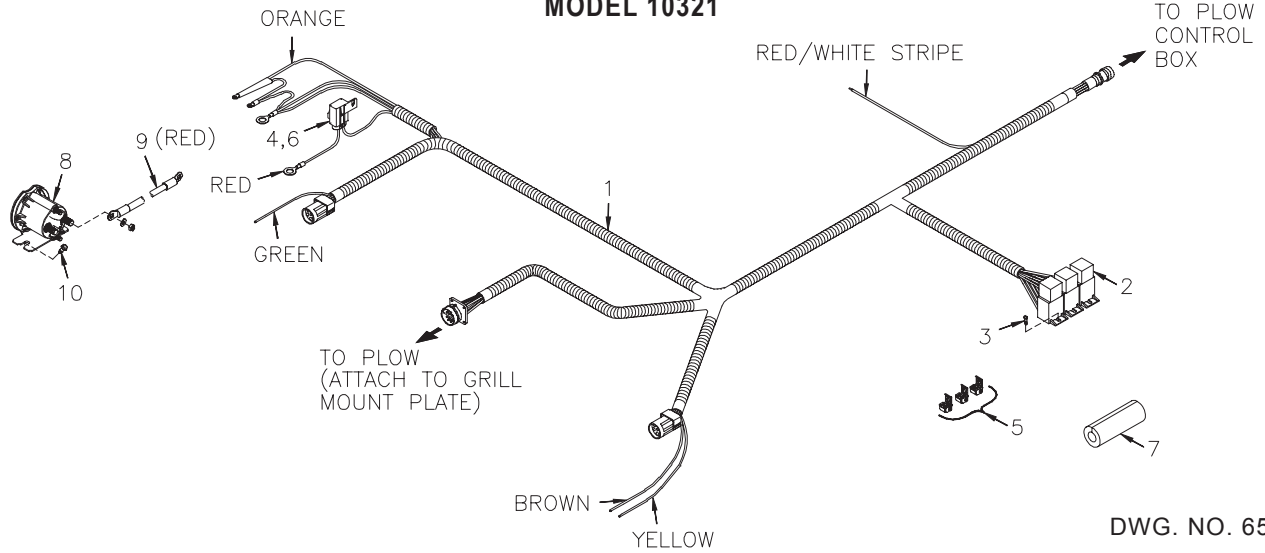
**PLOW WIRING HARNESS  
MODEL 10322**



DWG. NO. 6184

REF. NO.	PART NUMBER	DESCRIPTION	QTY.	REF. NO.	PART NUMBER	DESCRIPTION	QTY.
1	38813092	Plow Light Harness	1				

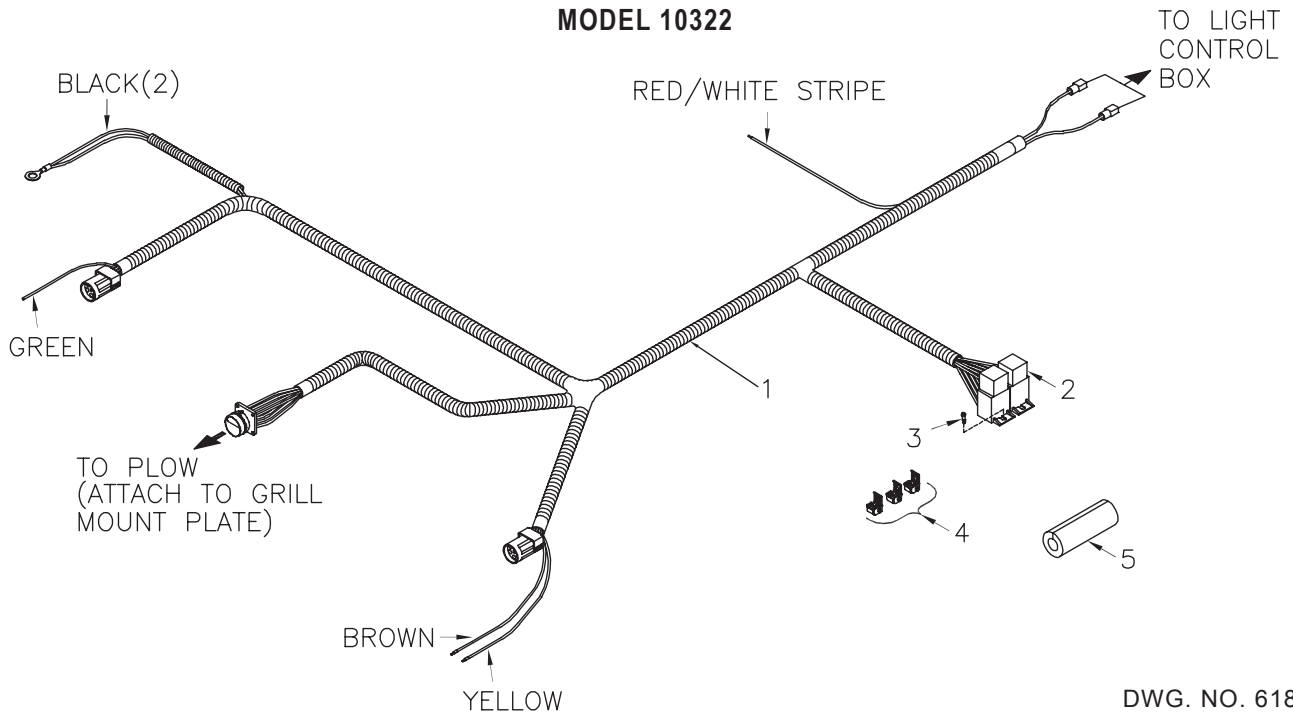
**UNDERHOOD WIRING HARNESS  
MODEL 10321**



DWG. NO. 6560

REF. NO.	PART NUMBER	DESCRIPTION	QTY.	REF. NO.	PART NUMBER	DESCRIPTION	QTY.
1	38813034	Underhood Snowplow Cable Assembly (Includes Relays And Fuse)	1	6	38400012	Cover, Fuse Holder	1
2	38350010	Headlight/Accessory Relay	3	7	39107001	Foam Grommet 4" Long	1
3	031-30078	Self Tap Screw #8-18 x 1/2 Slotted Hex Head	3	8	38350015	Motor Solenoid, Sealed	1
4	39207031	10 Amp Fuse	1	9	38813012	Solenoid Cable, Red	1
5	38610104	Sealed Wire Tap Connector	3	10	950-005-004	Self Tap Screw 1/4-20 x 1/2 Hex Washer Head	2

**UNDERHOOD WIRING HARNESS  
MODEL 10322**

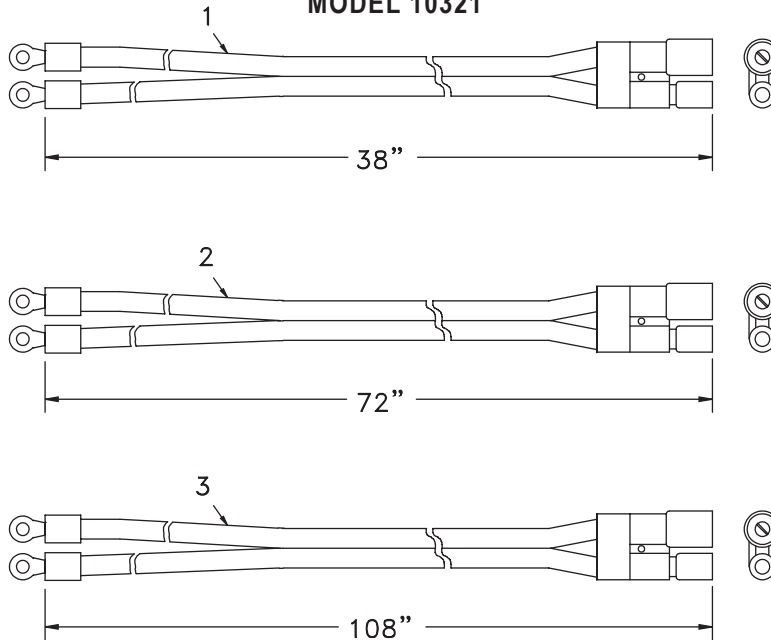


DWG. NO. 6183

REF. NO.	PART NUMBER	DESCRIPTION	QTY.	REF. NO.	PART NUMBER	DESCRIPTION	QTY.
1	38813093	Underhood Light Harness (Includes Relays)	1	4	38610104	Sealed Wire Tap Connector	3
2	38350010	Headlight Relay	2	5	39107001	Foam Grommet 4" Long	1
3	031-30078	S-Tap Screw #8-18 Slotted Hex Head	2				

**10 FT POLY TRIP EDGE PLOW 10321-10322**

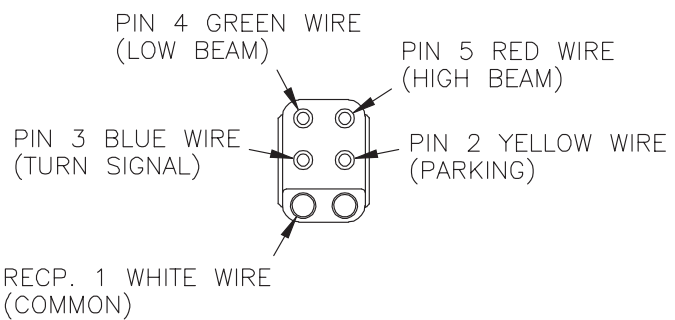
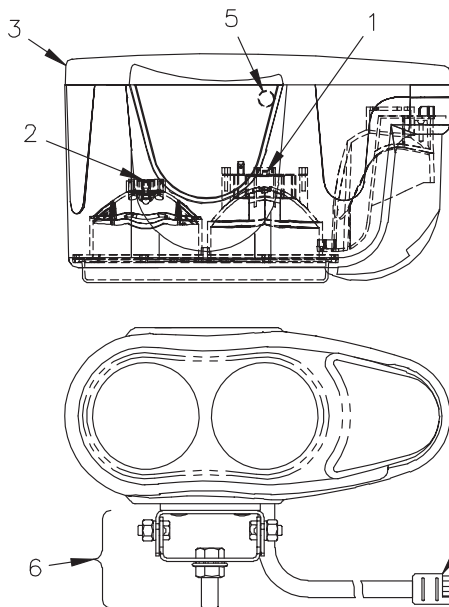
**POWER CABLES  
MODEL 10321**



DWG. NO. 5342

REF. NO.	PART NUMBER	DESCRIPTION	QTY.	REF. NO.	PART NUMBER	DESCRIPTION	QTY.
1	38812008	Battery Power Cable - Snow Plow	1	3	38813066	Battery Power Cable - Truck 9 Ft.	1
2	38813007	Battery Power Cable - Truck 6 Ft.	1				

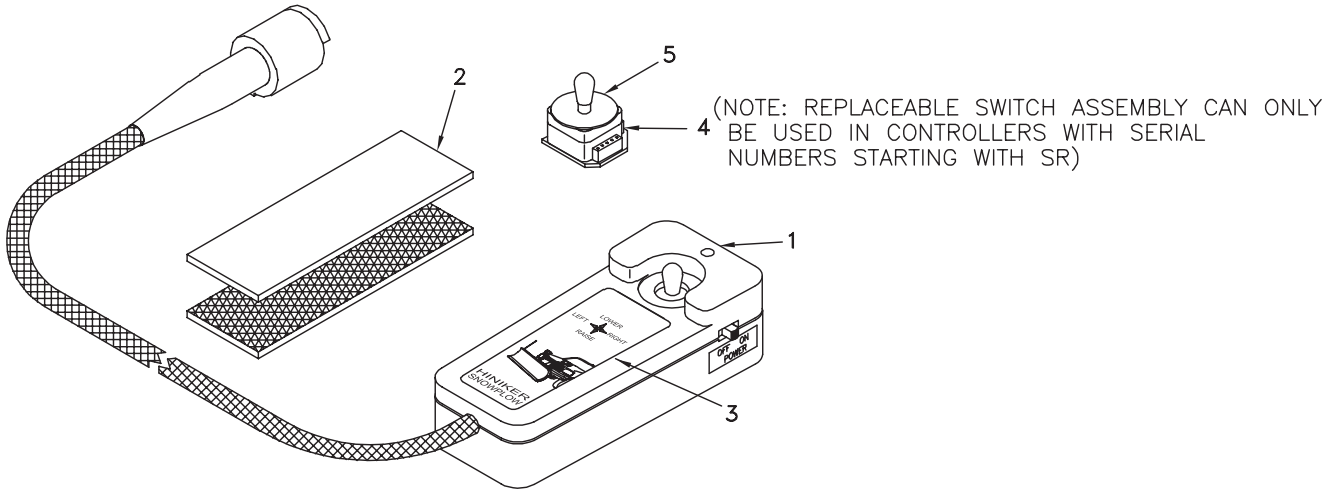
**HEADLAMPS**



DWG. NO. 6628

REF. NO.	PART NUMBER	DESCRIPTION	QTY.	REF. NO.	PART NUMBER	DESCRIPTION	QTY.
	25012793	LH Light Assembly	1	5	25012417	Conduit Clamp	1
	25012792	RH Light Assembly	1	6	25012794	Mounting Hardware Kit	1
1	25012416	Spring Clip, High Beam	1		N/A	High Beam Headlight Bulb - One #H1 12V, 55W	1
2	25012415	Spring Clip, Low Beam	1		N/A	Low Beam Headlight Bulb - One #H7 12V, 55W	1
3	25012414	Back Panel, LH Light	1		N/A	Turn Signal/Parking Bulb - One #1157 Heavy Duty Double Contact 32/3 C.P.	1
	25012419	Back Panel, RH Light	1				
4	25012418	Wire Harness	1				

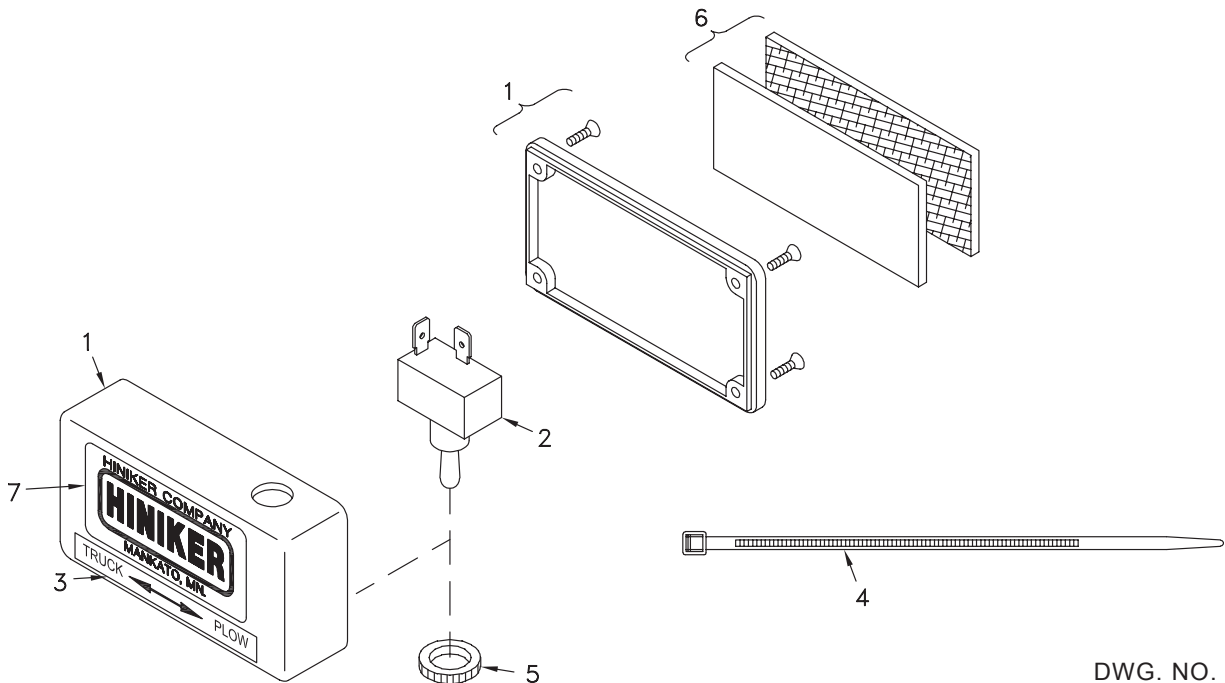
**JOYSTICK CONTROLLER  
MODEL 10321**



DWG. NO. 5925

REF. NO.	PART NUMBER	DESCRIPTION	QTY.	REF. NO.	PART NUMBER	DESCRIPTION	QTY.
1	36014020	Joystick Straight Plow W/Replaceable Switch	1	4	36014019	Replaceable Switch Assembly	1
2	39108005	Hook & Loop Assembly	1	5	36716033	Gasket	1
3	39302141	Decal, Straight Plow Joystick, 2 Sided	1				

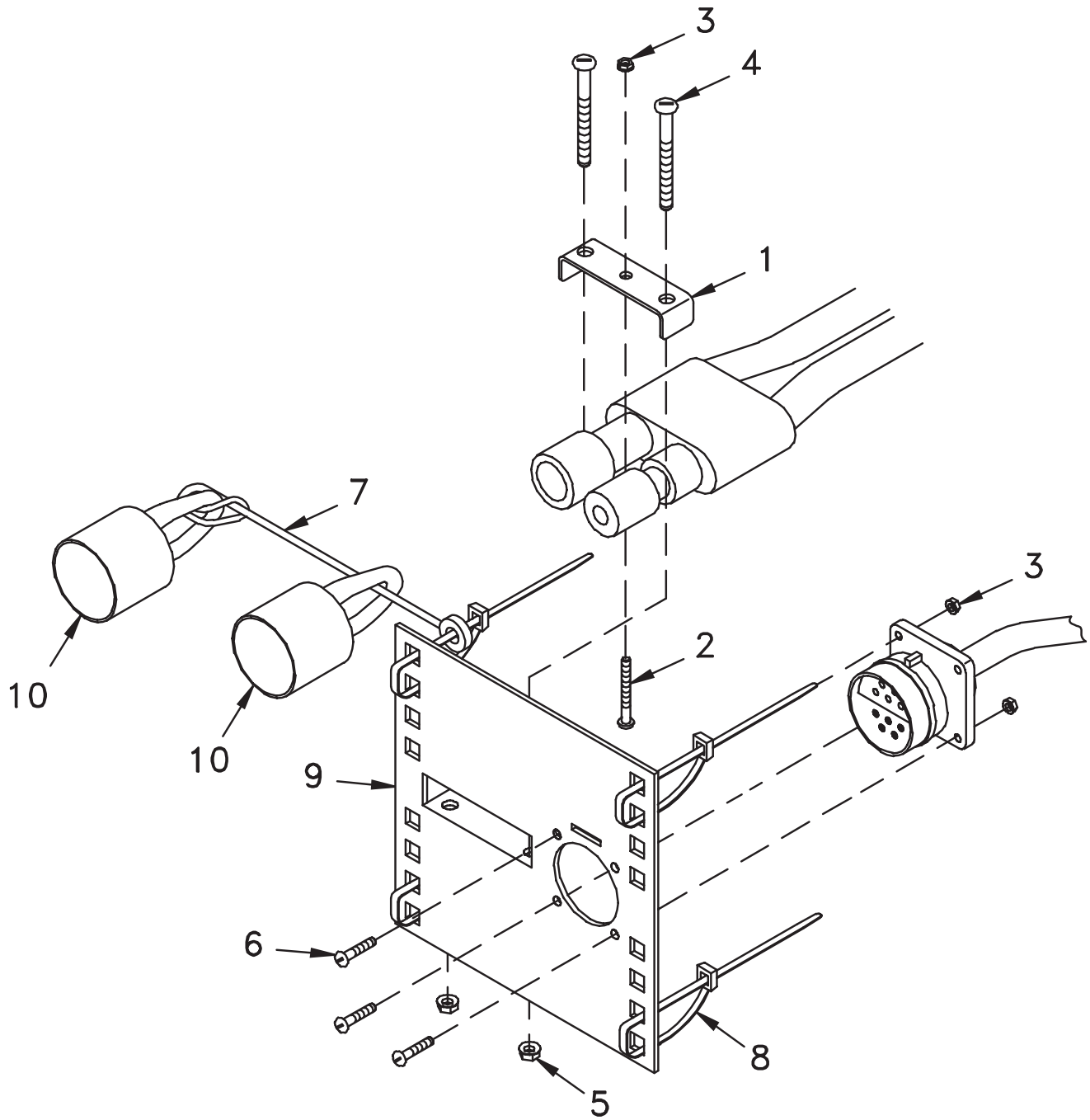
**HEADLIGHT SWITCH ASSEMBLY**



DWG. NO. 6189

REF. NO.	PART NUMBER	DESCRIPTION	QTY.	REF. NO.	PART NUMBER	DESCRIPTION	QTY.
1	36716038	Enclosure	1	5	39209018	Nut, Knurled Plastic	1
2	38321124	Switch, On-None-Off	1	6	39108005	Velcro, Hook & Loop Assembly	1
3	39302163	Label Truck/Plow	1	7	393-002-013	Hiniker Decal	1
4	367-001-014	Cable Tie, Black 8 In.	1		36014027	Light Switch Assembly (Includes Items 1-7)	

GRILL MOUNT PLATE



DWG 3900A

REF. NO.	PART NUMBER	DESCRIPTION	QTY.	REF. NO.	PART NUMBER	DESCRIPTION	QTY.
	25010512	Complete Mount Plate Kit (Items 1-10)		6	950-004-033	Machine Screw #6-32 x 1/2" Slotted Pan Head	4
1	25011037	Clamp	1	7	36716025	Nylon Lanyard 8"	1
2	700-10904	Machine Screw #6-32 x 1" Slotted Pan Head	1	8	367-001-011	Cable Tie 14"	4
3	951-003-014	Lock Nut #6-32 Nylon Insert	5	9	25010278	Plug Mount Plate	1
4	950-004-076	Machine Screw #10-24 x 1 1/2" Slotted Pan Head	2	10	36716002	Dust Cap	2
5	392-010-010	Lock Nut #10-24 Nylon Insert	2				