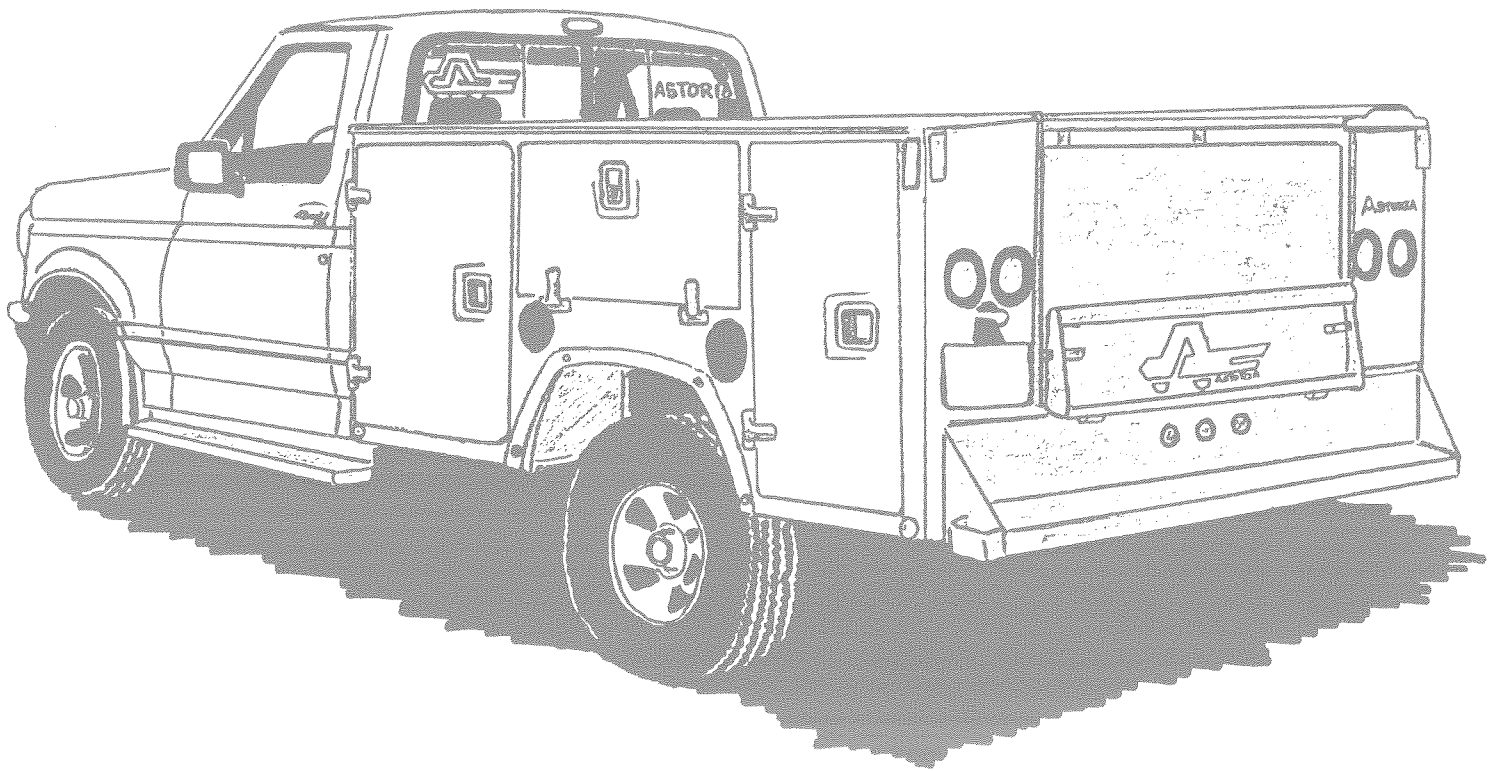


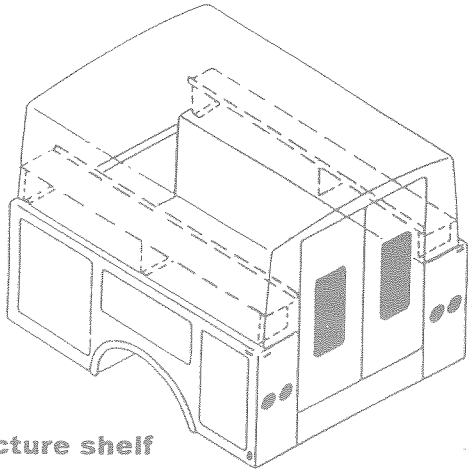


Optional Body Equipment

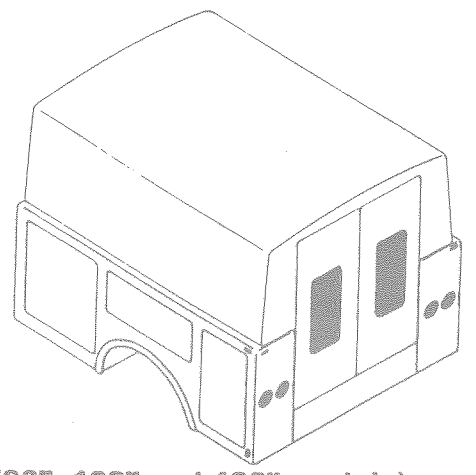


**301 Northwestern Avenue, P.O. Box 715
Chariton, Iowa 50049**

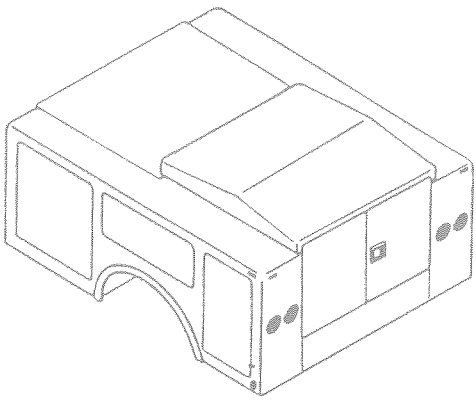
Ph: 641-774-3456 Fax: 641-774-8756



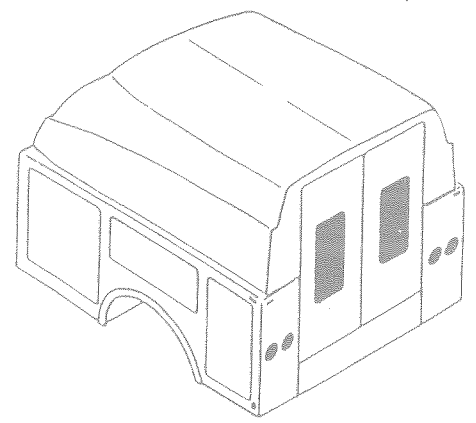
• Superstructure shelf



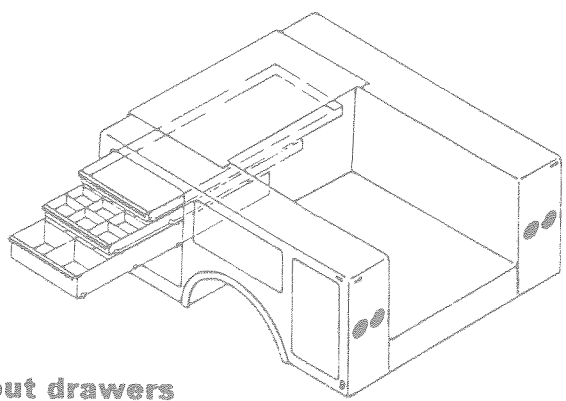
• Superstructure (96", 108" and 132" models)



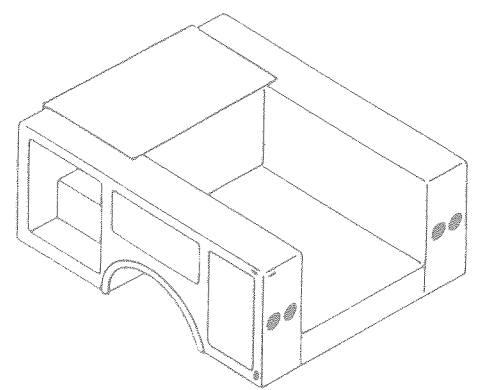
• Rolling top and rear doors



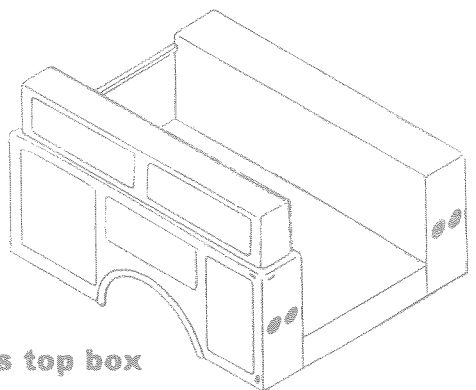
• Sloped front superstructure (96" and 108")



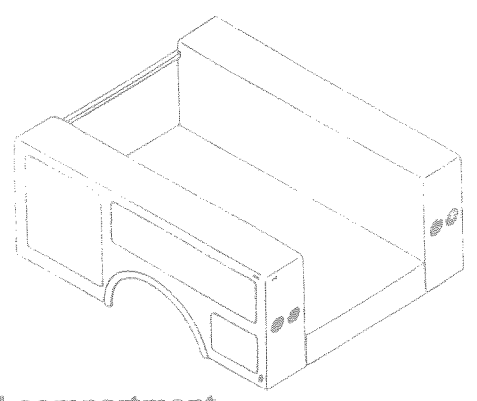
• Pull out drawers



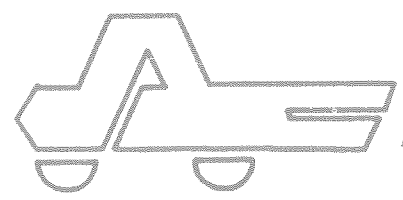
• Steel or aluminum transverse compartment



• Fiberglass top box

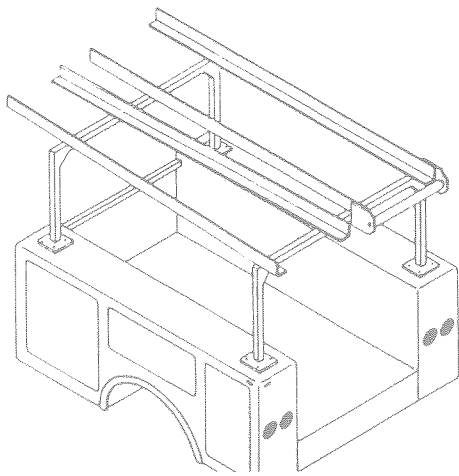


• Long horizontal compartment

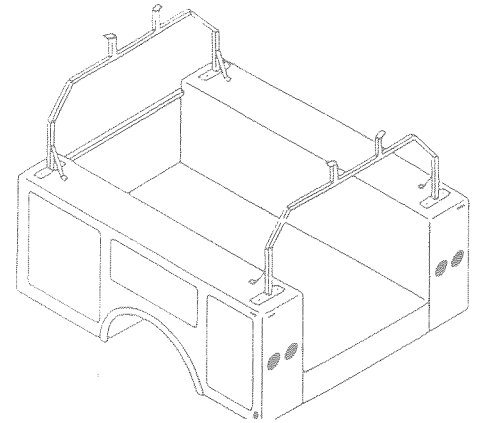


ASTORIA

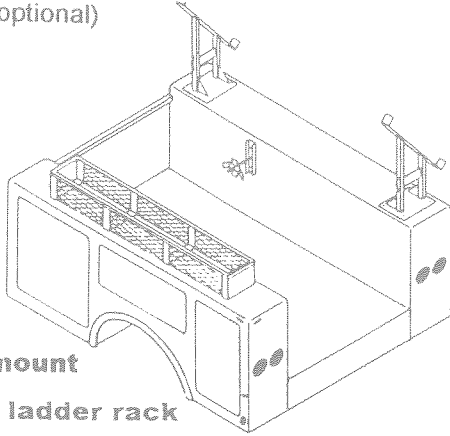
**INDUSTRIES
OF IOWA, INC.**



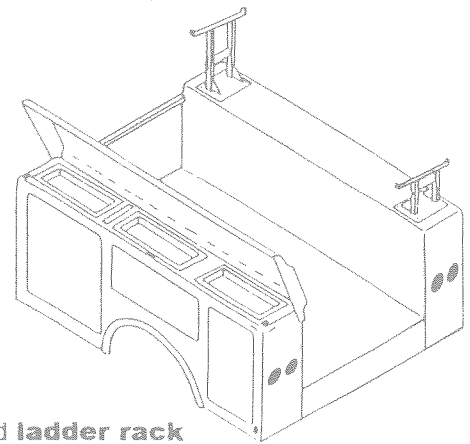
- **Bow-type ladder rack w/ angle rails**
(Rollers are optional)



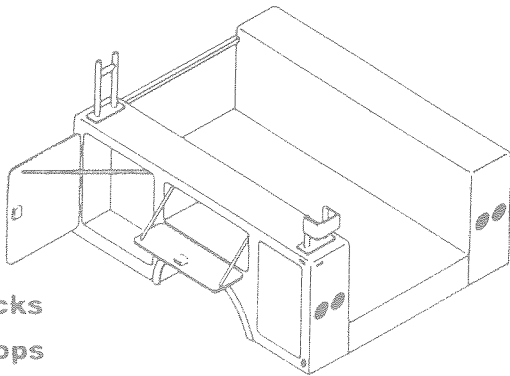
- Steel or aluminum **bow-type ladder rack**



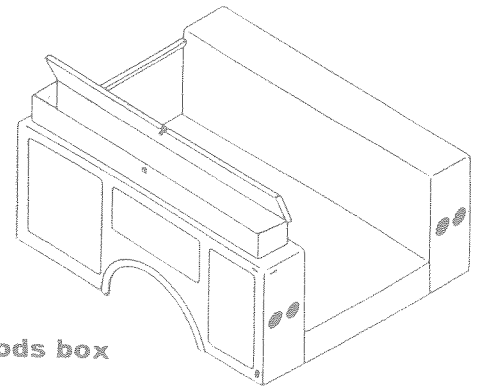
- **Spare tire mount**
- Side mounted **ladder rack**
- **Expanded metal shovel basket**



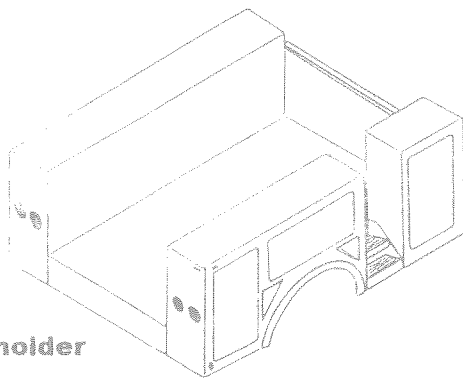
- **Flip top**
- Side mounted **ladder rack**



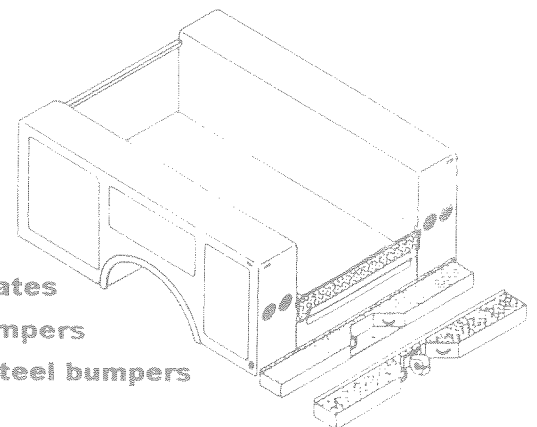
- **Pipe racks**
- **Door stops**



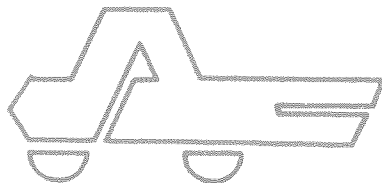
- **Rubber goods box**



- **Walkway**
- **Wheel chock holder**

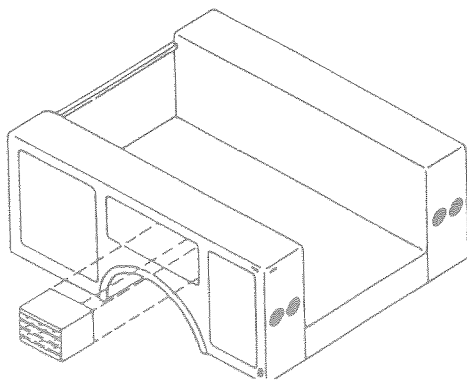


- **Tailgates**
- **Pintle hooks**
- **Ball hitch plates**
- **Gripstrut bumpers**
- **Treadplate steel bumpers**

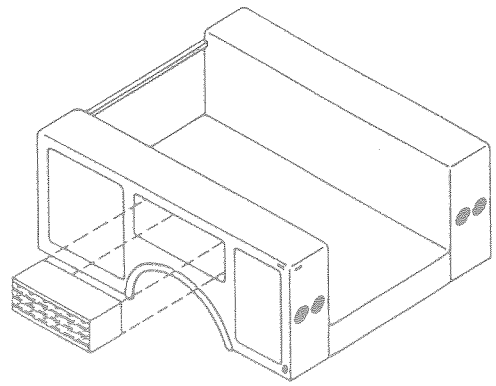


ASTORIA

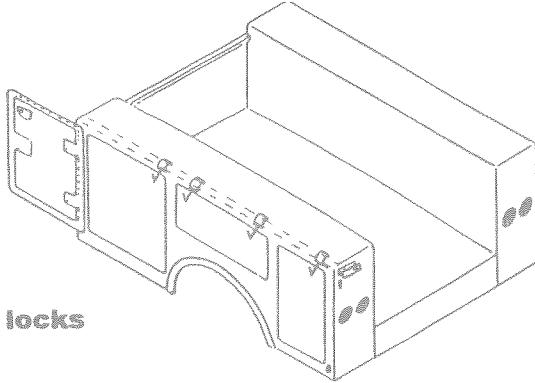
**INDUSTRIES
OF IOWA, INC.**



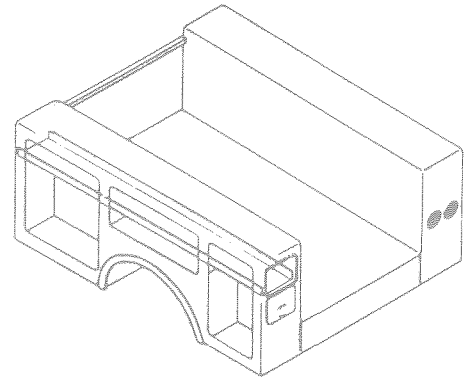
• Nine drawer **small parts cabinet**



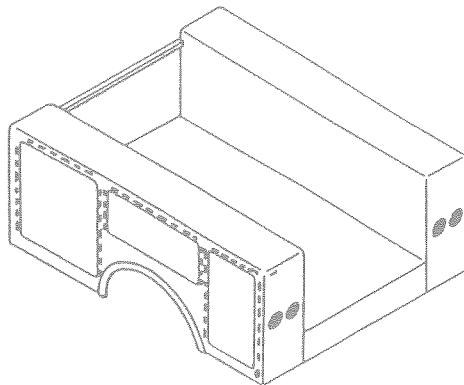
• Eighteen drawer **small parts cabinet**



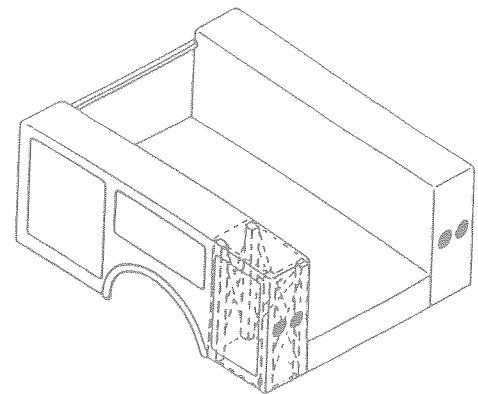
• **Gang locks**



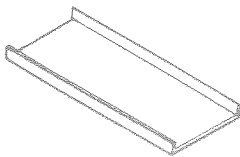
• **Hot stick door and full length shelf**



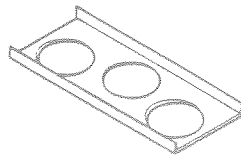
• **Interior lighting** (dome, vista, etc)



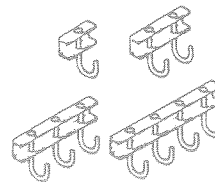
• **Crane reinforcement**



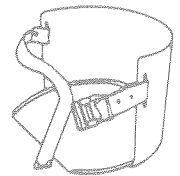
• **Plain shelves**



• **Padded meter shelves**

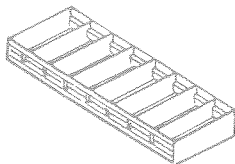


• **Fixed material hooks**

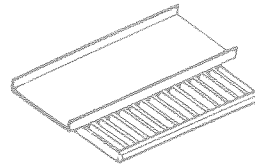


• **Water cask holder**

• **Swivel material hooks**

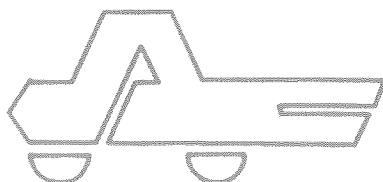


• **Divider trays**



• **Shelf w/ pull-out parts tray on slides**

• **Removable pipe vise base w/ pull out front support**



ASTORIA

**INDUSTRIES
OF IOWA, INC.**

301 Northwestern Avenue, P.O. Box 715 Chariton, Iowa 50049

Ph: 641-774-3456

Fax: 641-774-8756